

PROFESSIONAL CERTIFICATION
I CERTIFY THAT THESE DOCUMENTS
WERE PREPARED OR APPROVED BY
ME, AND THAT I AM A DULY LICENSED
PROFESSIONAL ENGINEER UNDER THE
LAWS OF THE STATE OF MARYLAND.
LICENSE NUMBER: 39790
EXPIRATION DATE: 10/28/2013

PROJECT TITLE

TCC/SHORE TRANSIT BUS MAINTENANCE FACILITY - PHASE II

31855 TRI-COUNTY WAY
SALISBURY, MD 21804

ISSUED FOR BIDDING
DATE: 01/05/12

SHEET TITLE

FOUNDATION PLAN, DETAILS & NOTES

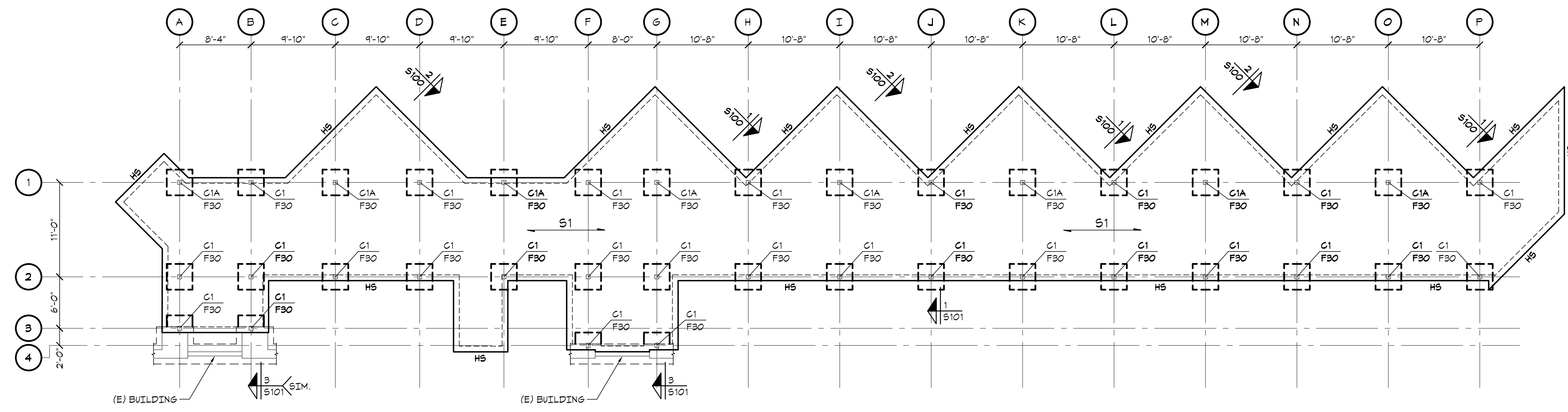
CANOPY WORK IS PART OF ADD/ALT #1

ISSUE BLOCK

MARK	DATE	DESCRIPTION
2	12.21.2011	FIRE SPRINKLER ADDITION
1	11.4.2011	CODE REVIEW COMMENTS

PROJECT NO:	2009145.00
DATE:	01/05/12
SCALE:	AS NOTED
DRAWN BY:	MAN
PROJ MGR:	JRB

S100
COPYRIGHT © YEARS



FOUNDATION PLAN

SCALE: 1/8" = 1'-0"

NOTES:

- TOP OF SLAB EL. = DATUM EL. (0.00) UNLESS NOTED OTHERWISE THIS (...). SEE CIVIL DRAWINGS FOR GRADES & ELEVATIONS OF TOP OF SLAB.
- BOTTOM OF FOOTING EL. = (-2.67) BELOW DATUM ELEVATION UNLESS NOTED OTHERWISE THIS (...).
- 'HS' INDICATES HAUNCHED SLAB. SEE TYPICAL DETAIL ON THIS DRAWING.
- COORDINATE ALL UNDER SLAB PIPE WITH ARCHITECTURAL/MECHANICAL/CIVIL DRAWINGS.
- COORDINATE ALL DIMENSIONS WITH ARCHITECTURAL DRAWINGS PRIOR TO BUILDING LAYOUT.
- ... INDICATES 4" N/A. CONCRETE SLAB ON GRADE (6% AIR ENTRAINMENT) w/ 6x6-W1.4x1.4 W/F OVER 4" CRUSHED STONE.
- 'C1' INDICATES 4" N/A. CONCRETE SLAB ON GRADE (6% AIR ENTRAINMENT) w/ 6x6-W1.4x1.4 W/F OVER 4" CRUSHED STONE.
- 'C1A' INDICATES STEEL CANOPY COLUMN USED FOR DRAINAGE, BY OTHERS.

GENERAL NOTES

GENERAL

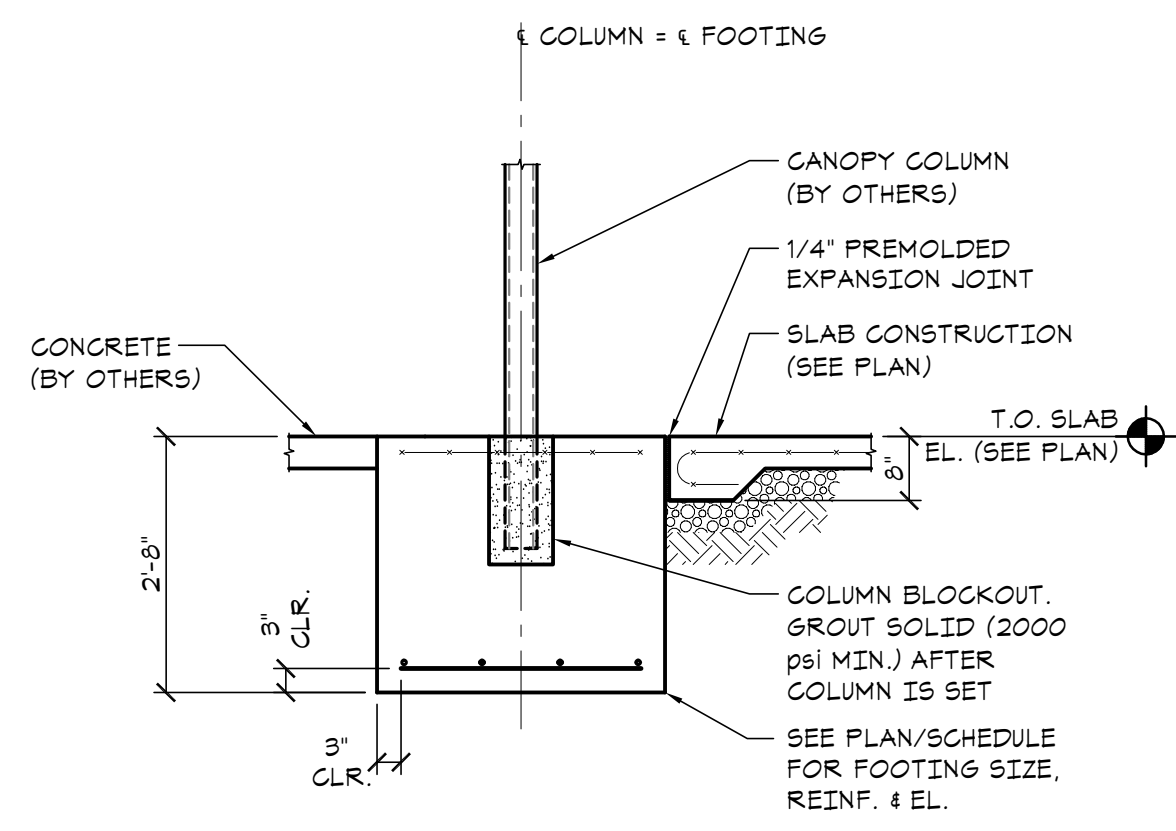
- ALL WORK SHALL BE COMPLETED IN ACCORDANCE WITH ALL DRAWINGS AND SPECIFICATIONS CONTAINED HEREIN.
- ALL DRAWINGS HAVE BEEN PREPARED IN ACCORDANCE WITH THE 2006 INTERNATIONAL BUILDING CODE AS WELL AS ALL REFERENCED STANDARDS CONTAINED THEREIN.
- EVALUATION AND COMPLIANCE WITH LOADING RESTRICTIONS FOR MEANS AND METHODS OF CONSTRUCTION AS WELL AS STAGING FOR OTHER TRADES ARE THE RESPONSIBILITY OF THE CONTRACTOR.
- SCALING OF DRAWINGS TO DETERMINE DIMENSIONS OF ELEMENTS IS NOT PERMITTED.
- STRUCTURAL DRAWINGS SHALL NOT BE REPRODUCED TO CREATE SHOP DRAWINGS OR SHORING DOCUMENTATION WITHOUT THE EXPRESS WRITTEN CONSENT OF MACINTOSH ENGINEERING.
- ALL HORIZONTAL AND VERTICAL DIMENSIONS CONTAINED ON THE STRUCTURAL DRAWINGS WERE DEVELOPED BY OTHER DISCIPLINES FOR THE PURPOSE OF THIS PROJECT. ANY DIMENSIONS NOT SHOWN ON THE STRUCTURAL DRAWINGS SHOULD BE COORDINATED WITH THE OTHER DISCIPLINE DRAWINGS.
- THE STRUCTURAL DOCUMENTS ARE TO BE USED IN COORDINATION WITH THE ARCHITECTURAL, MECHANICAL, PLUMBING AND ELECTRICAL DRAWINGS AND SPECIFICATIONS AS WELL AS THOSE OF ALL OTHER DISCIPLINES. ANY DISCREPANCIES SHOULD BE BROUGHT TO THE ATTENTION OF THE DESIGN TEAM PRIOR TO THE COMMENCEMENT OF WORK.
- SHOP DRAWINGS SHALL BE SUBMITTED FOR THE FOLLOWING ITEMS FOR THIS THE PROJECT:
A. CONCRETE MIX DESIGNS
B. REINFORCING SHOP DRAWINGS
ALL SHOP DRAWINGS NOTED ABOVE SHALL BE SUBMITTED IN A TIMELY MANNER TO ALLOW FOR A 14 DAY REVIEW PERIOD BY THE DESIGN TEAM. EXPEDITED REVIEW PERIODS MAY BE REQUESTED BUT CANNOT BE GUARANTEED. ALL SUBMITTED DRAWINGS SHALL CONTAIN THE CONSTRUCTION MANAGER / GENERAL CONTRACTOR SHOP DRAWING STAMP INDICATING THEIR REVIEW OF THE DRAWINGS INCLUDING BUT NOT LIMITED TO COORDINATION WITH OTHER TRADES, VERIFICATION OF DIMENSIONS, FIELD CONSTRAINTS, MEANS AND METHODS CONSTRUCTION.

FOUNDATIONS

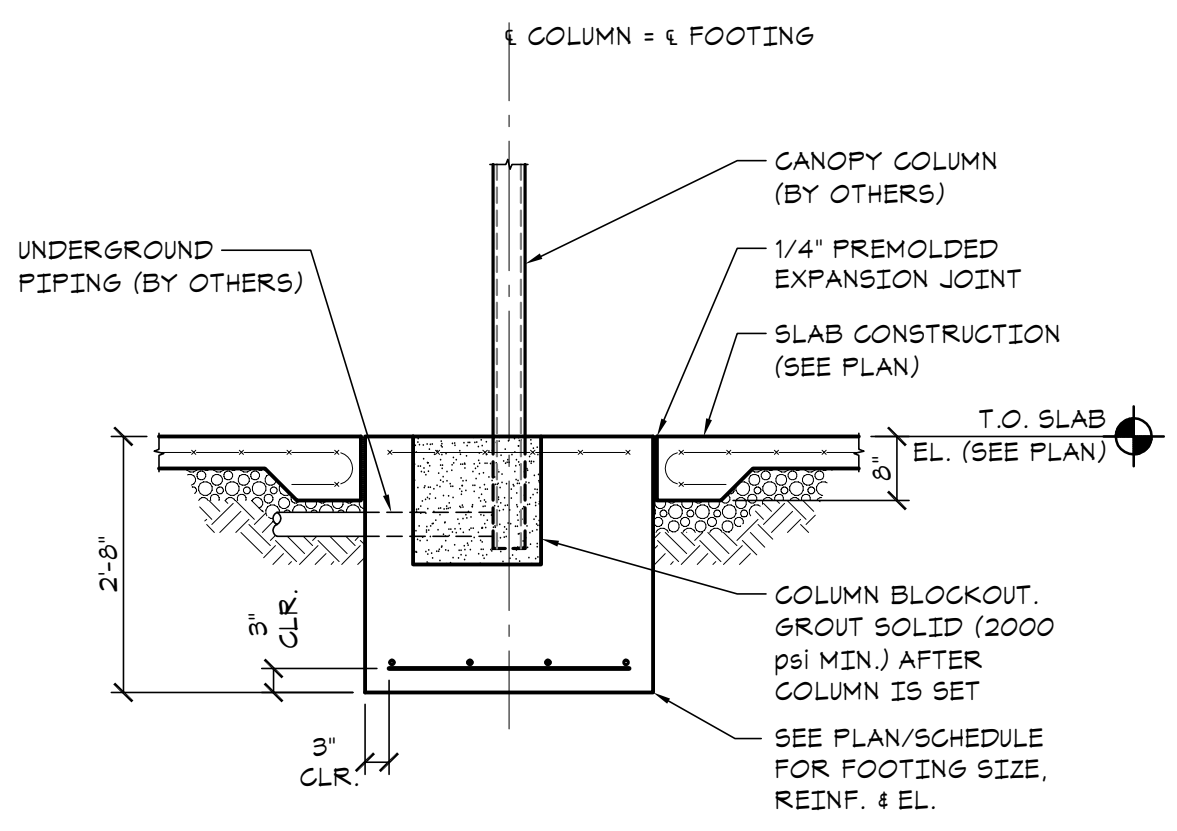
- BOTTOM OF FOOTING SUBGRADE IS ASSUMED TO BEAR ON SOIL CAPABLE OF SAFELY SUPPORTING 2000 PSF IN ACCORDANCE WITH THE RECOMMENDATIONS OF THE 2006 INTERNATIONAL BUILDING CODE
- BOTTOM OF ALL FOOTINGS SUBJECTED TO FREEZE THAN CONDITIONS SHALL BE A MINIMUM 2.67 FEET BELOW FINISH GRADE OR TOP OF SLAB ELEVATION WHICHEVER IS LOWER UNLESS NOTED OTHERWISE.

CONCRETE

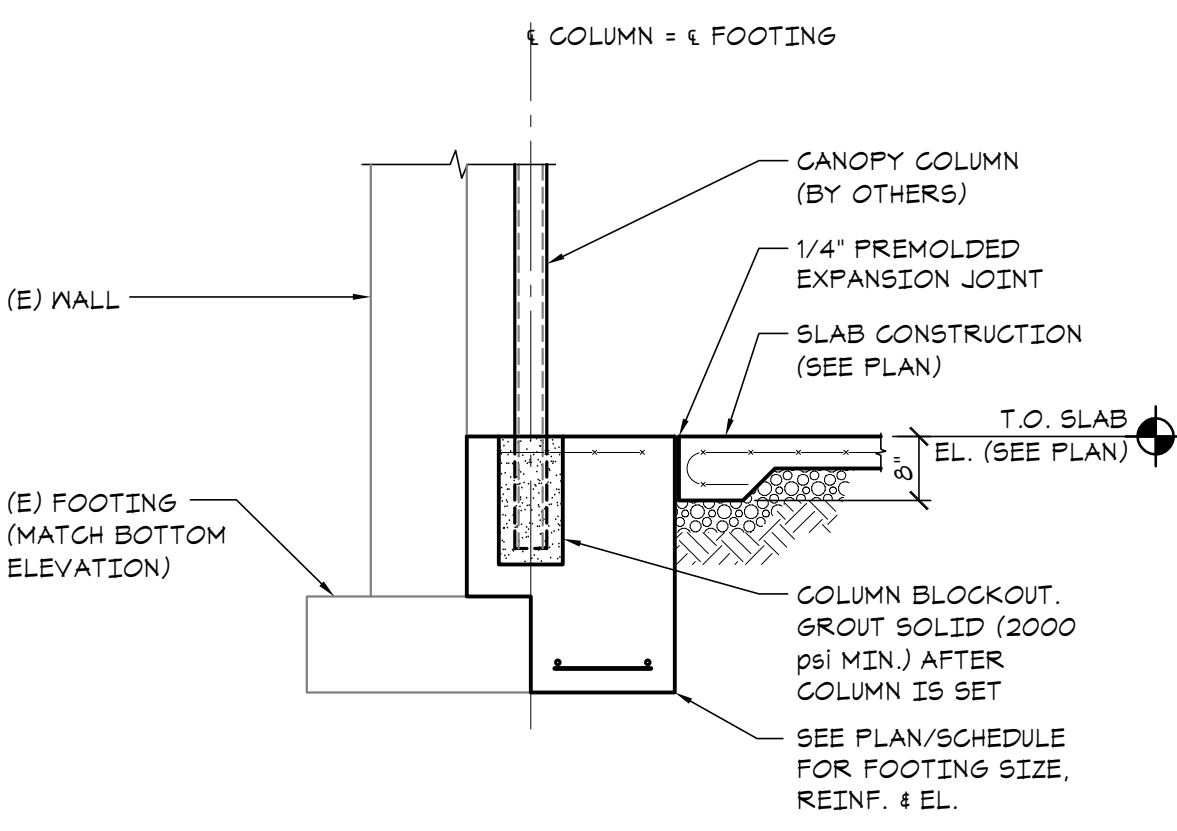
- ALL CONCRETE SHALL BE READY-MIX AND HAVE THE FOLLOWING CHARACTERISTICS:
SLABS ON GRADE
A MINIMUM COMPRESSIVE STRENGTH OF 4000 PSI AT 28 DAYS.
A MINIMUM OF 520 LBS. OF CEMENT PER CUBIC YARD.
SLUMP (AT POINT OF CONCRETE PLACEMENT) SHALL BE 3-INCH MINIMUM AND 5-INCH MAXIMUM.
FOOTINGS AND FOUNDATION WALLS
A MINIMUM COMPRESSIVE STRENGTH OF 4000 PSI AT 28 DAYS.
A MINIMUM OF 520 LBS. OF CEMENT PER CUBIC YARD.
SLUMP (AT POINT OF CONCRETE PLACEMENT) SHALL BE 3-INCH MINIMUM AND 5-INCH MAXIMUM.
- ALL CONCRETE EXPOSED TO EXTERIOR CONDITIONS SHALL HAVE CHARACTERISTICS IN ACCORDANCE WITH AGI BUILDING CODE (AGI 318) AND THE 2006 INTERNATIONAL BUILDING CODE MAXIMUM WATER-CEMENTITIOUS MATERIAL RATIO SHALL BE 0.45. MINIMUM COMPRESSIVE STRENGTH OF 4300 PSI AT 28 DAYS.
- ALL CONCRETE WORK SHALL COMPLY WITH THE REQUIREMENTS OF THE LATEST EDITIONS OF THE FOLLOWING CODES AND STANDARDS: AGI BUILDING CODE (AGI 318).
- ALL REINFORCING STEEL SHALL BE MANUFACTURED FROM HIGH STRENGTH BILLET STEEL CONFORMING TO ASTM DESIGNATION A615 GRADE 60. LAP ALL BARS MINIMUM 48 BAR DIAMETERS UNLESS OTHERWISE NOTED IN THE TABLES BELOW.
- ALL W/F SHALL BE MANUFACTURED FROM HIGH STRENGTH STEEL CONFORMING TO ASTM A185. LAP ALL W/F A MINIMUM OF 6 INCHES.
- CONCRETE SLAB ON GRADE SHALL BE FINISHED TO TOLERANCE FOR FLOOR FLATNESS (FF) OF 25 AND FLOOR LEVELNESS (FL) OF 20 UNLESS OTHERWISE MANDATED BY ARCHITECTURAL FINISH REQUIREMENTS.
- CONCRETE SHALL ACHIEVE A MINIMUM OF 70 PERCENT OF THE DESIGN STRENGTH PRIOR TO STEEL ERECTION. WRITTEN CONFIRMATION OF THIS STRENGTH SHOULD BE SUBMITTED TO THE ENGINEER OF RECORD PRIOR TO THE COMMENCEMENT OF STEEL ERECTION.



Section 1
S101



Section 2
S101

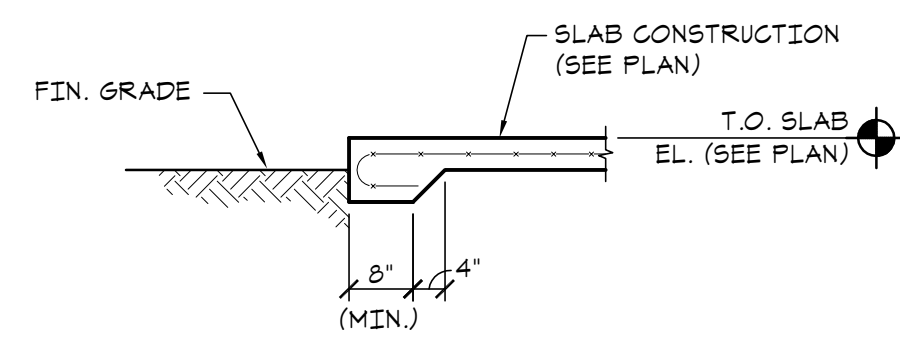


Section 3
S101

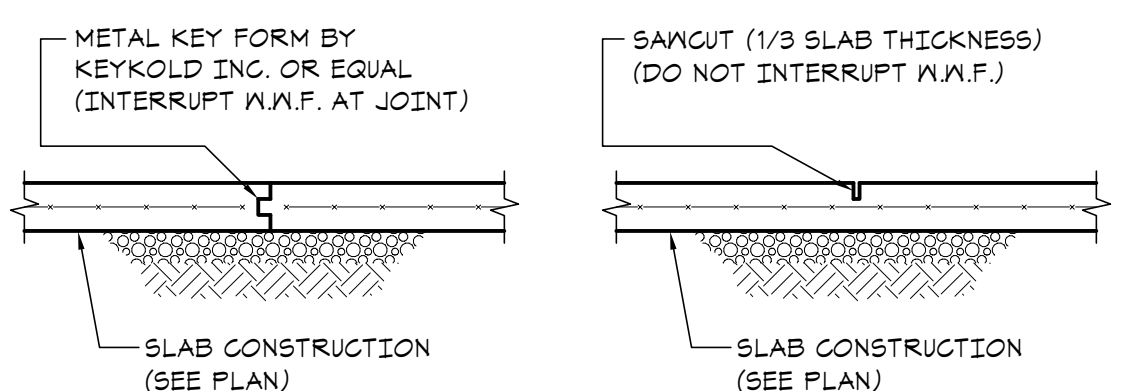
NOTE

- CONSTRUCTION JOINTS AND CONTROL JOINTS SHALL CREATE PANELS OF 400 SQ. FT. (MAX.) LENGTH TO WIDTH RATIO NOT TO EXCEED 1 1/2:1.
- SAWCUT INTERIOR SLABS WITHIN 24 HOURS OF CONC. POUR. SAWCUT EXTERIOR SLABS WITHIN 12 HOURS OF CONC. POUR OR COVER TO PREVENT EXCESSIVE MOISTURE EVAPORATION. SEE CIVIL DRAWINGS FOR REQUIRED JOINTING PATTERN.

FOOTING SCHEDULE		
MARK	SIZE	REINFORCING
F30	3'-0" x 3'-0" x 32"	(4) #4 EMB



Typical Haunched Slab Detail



CONSTRUCTION JOINT
CONTROL JOINT
Typical Slab On Grade Details

MACINTOSH ENGINEERING
2133 STERLING AVENUE • UNIT 11
GEORGETOWN, DE 19647
PHONE: 302-448-2000
FAX: 302-448-2001
JOB NUMBER: 217319

THIS DOCUMENT IS THE SOLE PROPERTY OF MACINTOSH ENGINEERING AND MAY NOT BE REPRODUCED IN ANY FORM FOR THE PURPOSE OF SHOP DRAWING PREPARATION WITHOUT THE PRIOR WRITTEN PERMISSION OF MACINTOSH ENGINEERING