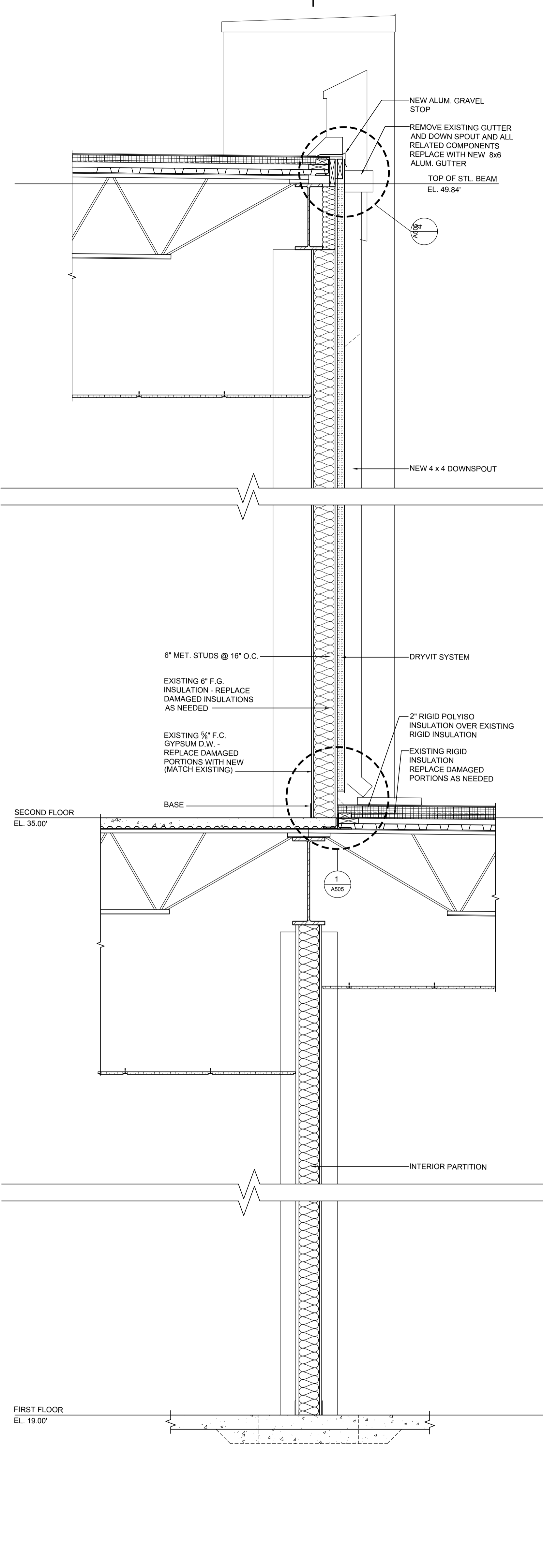
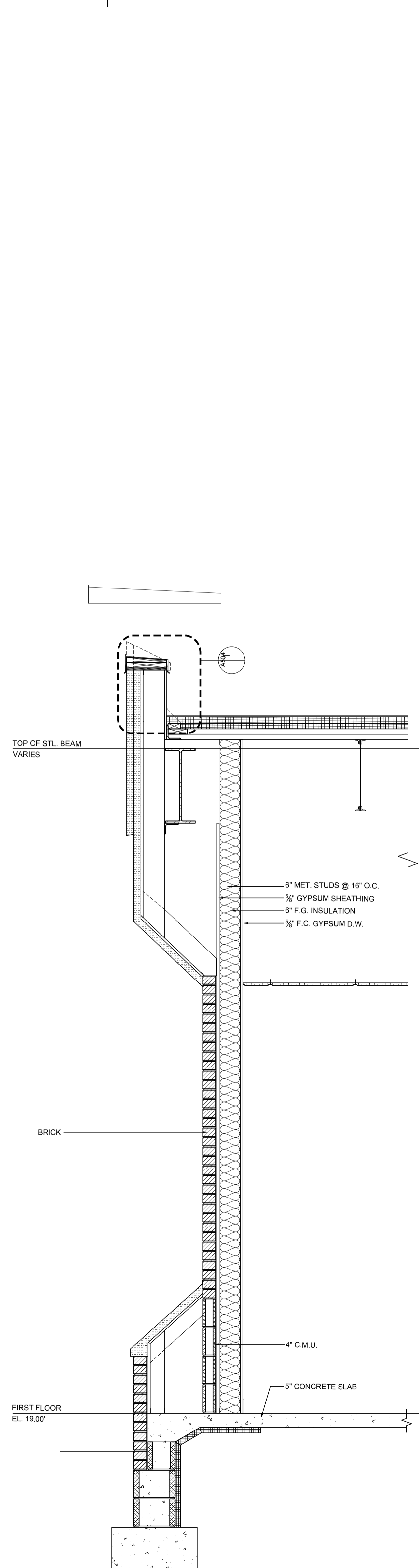


1 EXISTING WALL SECTION  
SCALE: 3/4" = 1'-0"



2 EXISTING WALL SECTION  
SCALE: 3/4" = 1'-0"



3 EXISTING WALL SECTION  
SCALE: 3/4" = 1'-0"

GENERAL NOTE:  
1. ALL WOOD PRODUCTS SHALL BE OF FIRE-RESISTIVE-TREATED WOOD IN ACCORDANCE WITH IBC SECTION 603.  
2. ROOF MEMBRANE TO BE FIRESTONE ULTRAPLY REFLECTIVE WHITE, TPO SYSTEM .060 THICKNESS, FULLY ADHERED OR EQUAL.

REVISIONS		NO.	DATE	REMARKS

I CERTIFY THAT THESE DRAWINGS OR APPROVED BY ME AS A SEAL FOR THE LANDS OF THE STATE OF MARYLAND  
KERRY WOTTE LICENSE NO. 00702 EXPIRES 06/30/2012

ARCHITECTURE  
ENGINEERING  
INCORPORATED

**IOTT**

310 HAMMOND ST. SUITE 109 SALISBURY, MARYLAND  
(410) 749-7229 • FAX (410) 749-0001

TRI - COUNTY MULTI-PURPOSE CENTER  
BUILDING ENVELOPE AND  
INTERIOR RENOVATION  
SALISBURY, MARYLAND

WALL SECTIONS AND DETAILS

PRINT DATE: 11.12.2010  
IOTT PROJ. NO.: 09-035  
DESIGN BY: KI  
DRAWN BY:  
SCALE: AS NOTED  
STAGE: ISSUED FOR BID  
DWG. FILE: 09-035-A503

**A**  
**503**