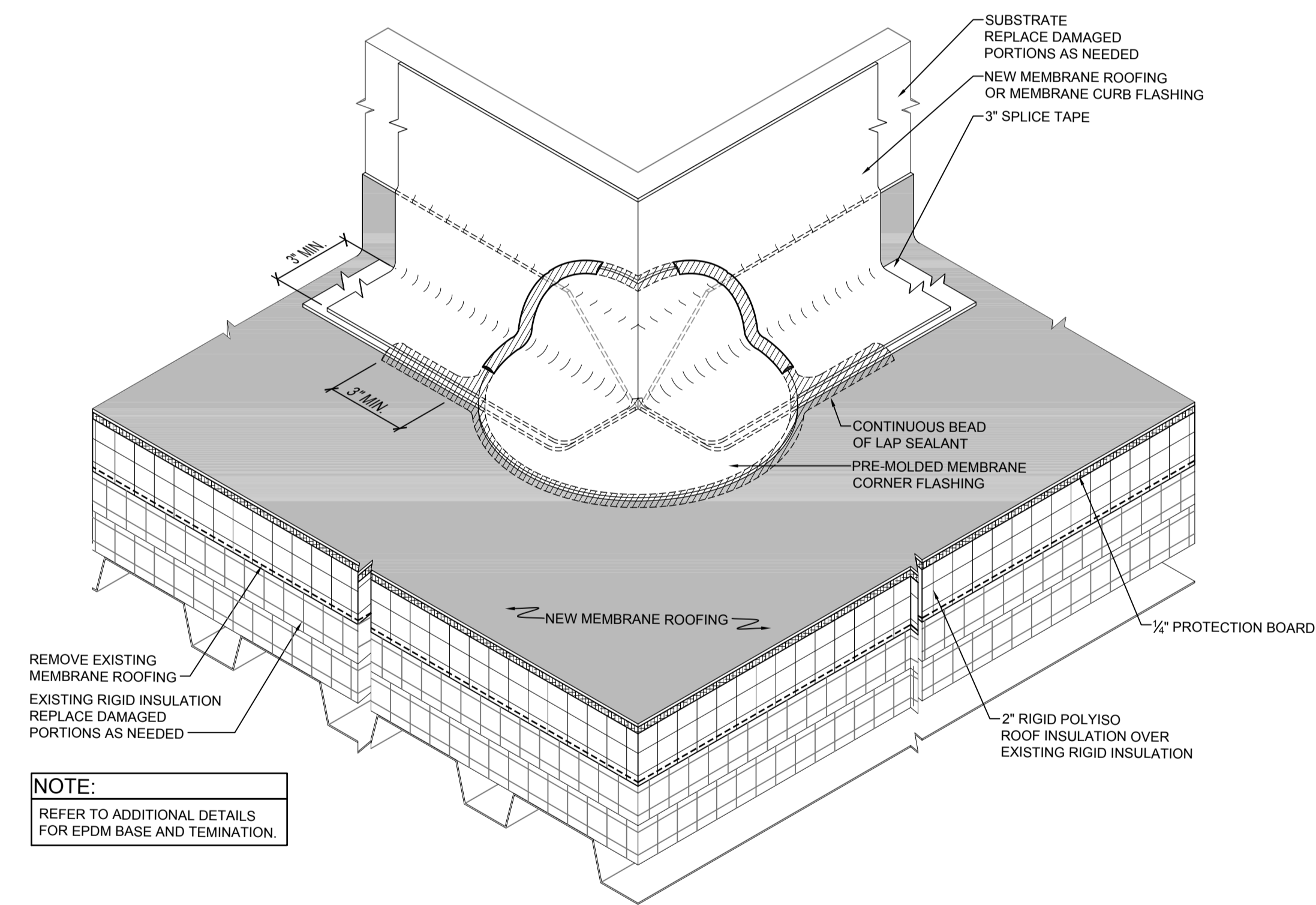
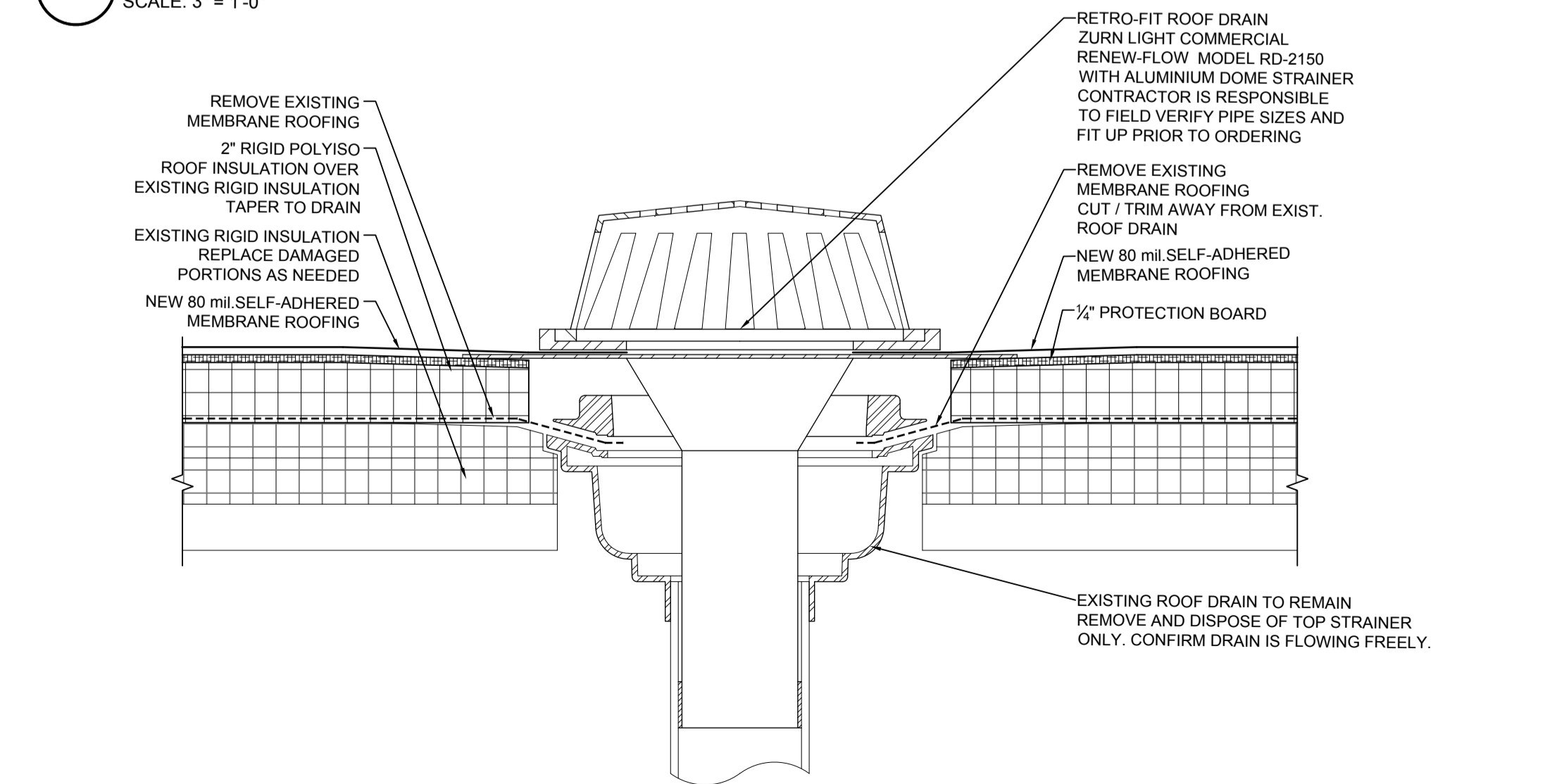


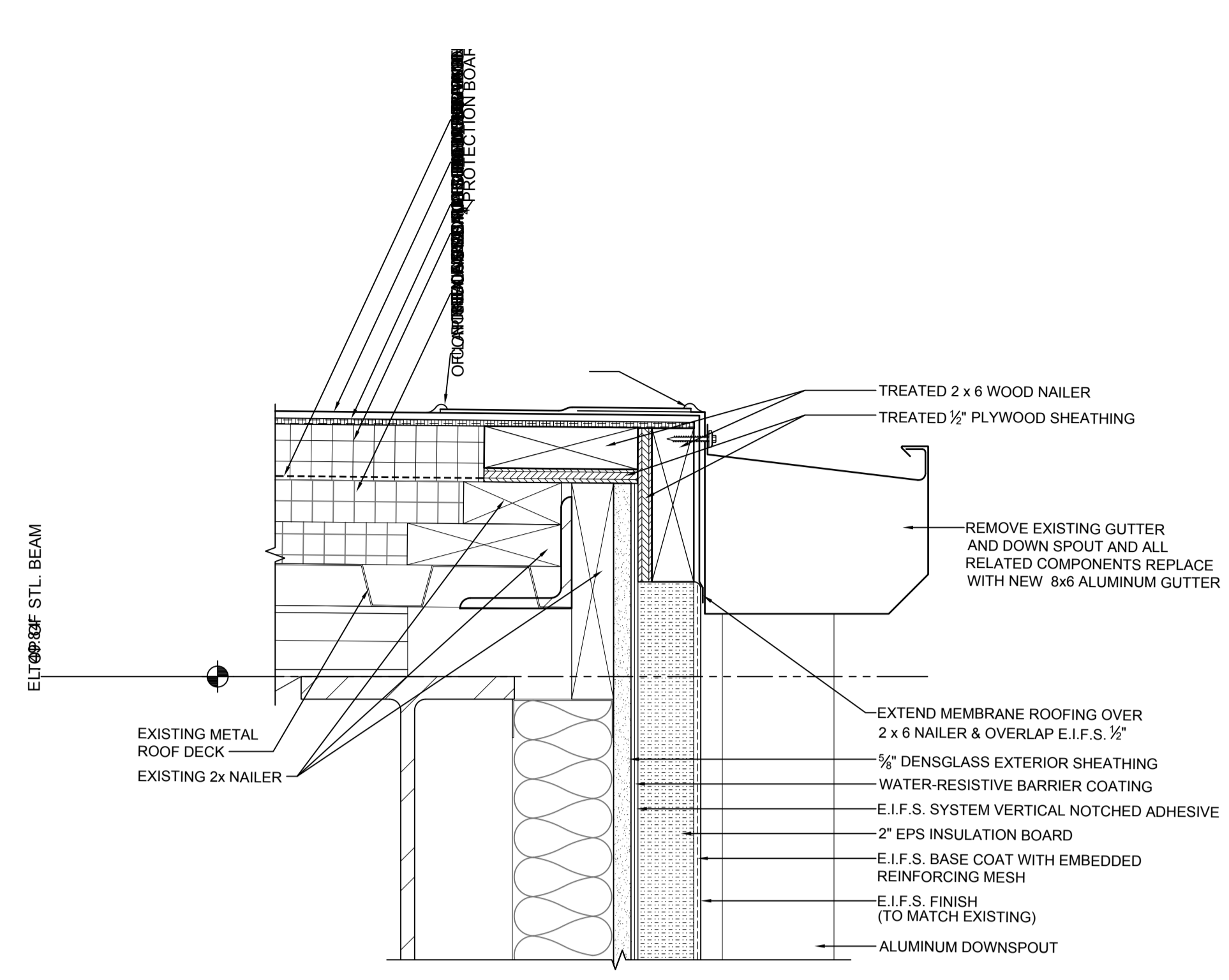
1 EXISTING E.F.I.S. / NEW MEMBRANE ROOF BASE DETAIL
SCALE: 3" = 1'-0"
DESIGN BASED ON DRYVIT DETAIL DRAWINGS



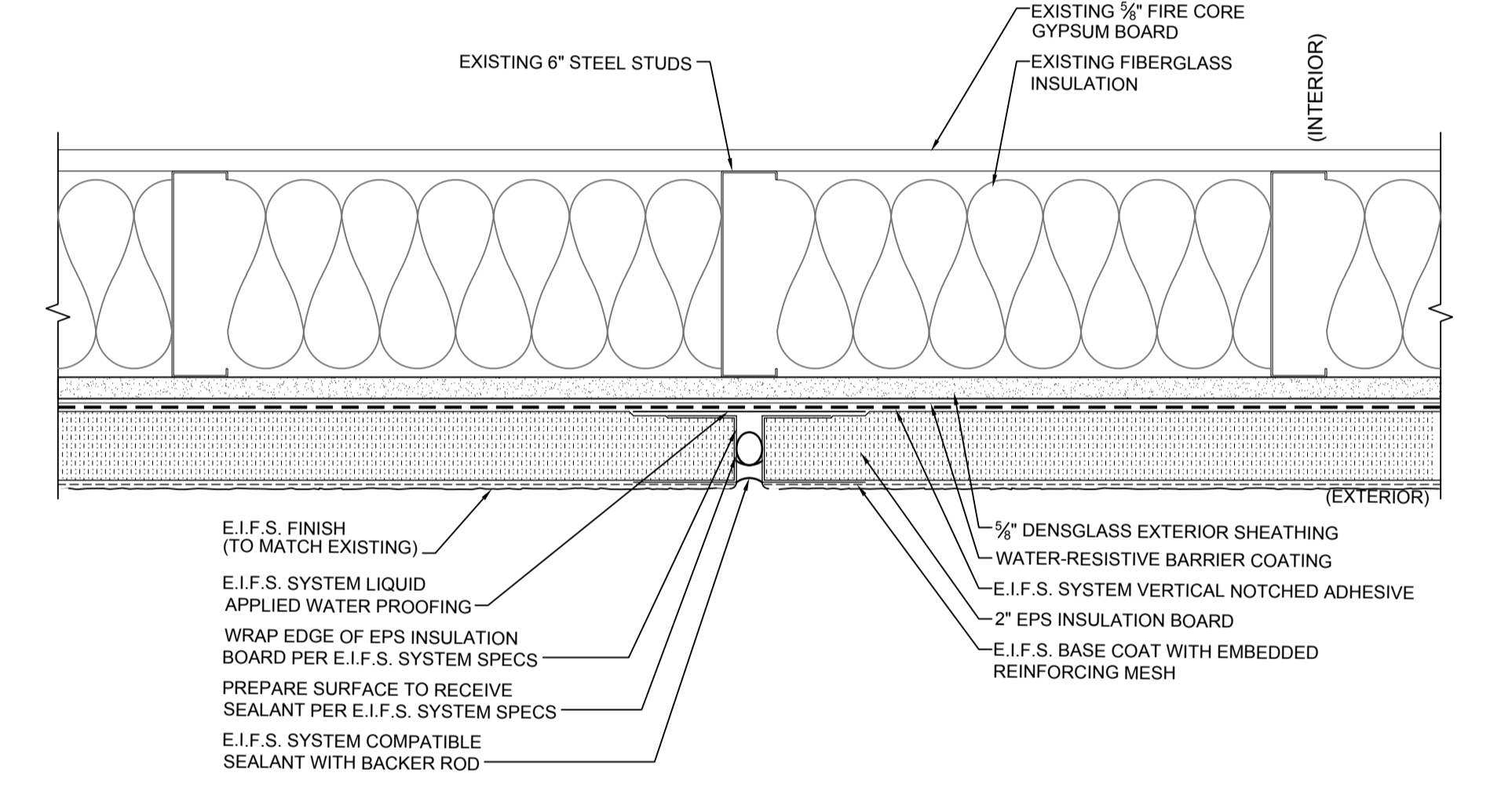
2 OUTSIDE CORNER ROOFING DETAIL
SCALE: 3" = 1'-0"



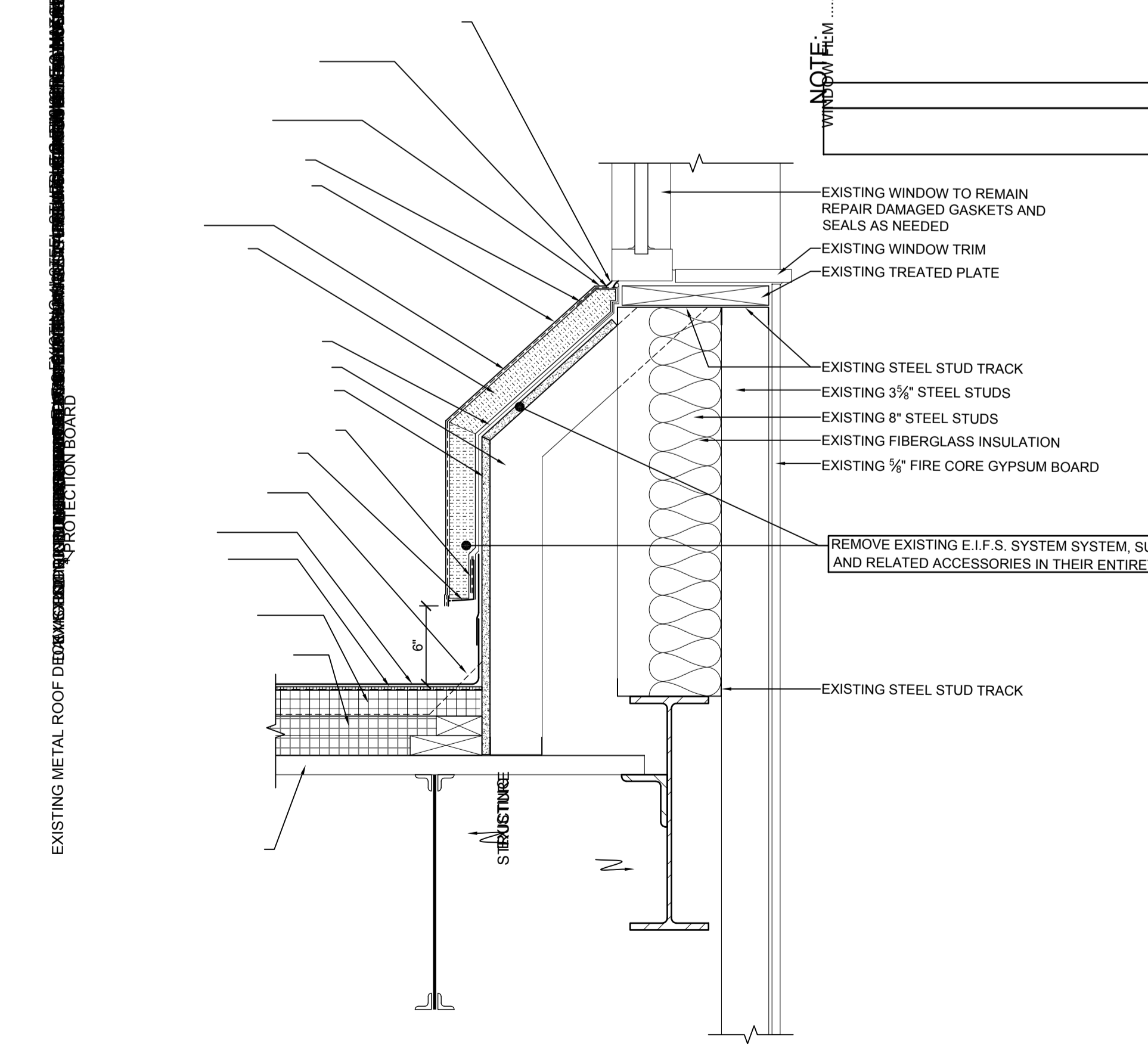
3 TYPICAL RETRO-FIT OF EXISTING ROOF DRAIN DETAIL / NEW MEMBRANE ROOF DETAIL
SCALE: 3" = 1'-0"



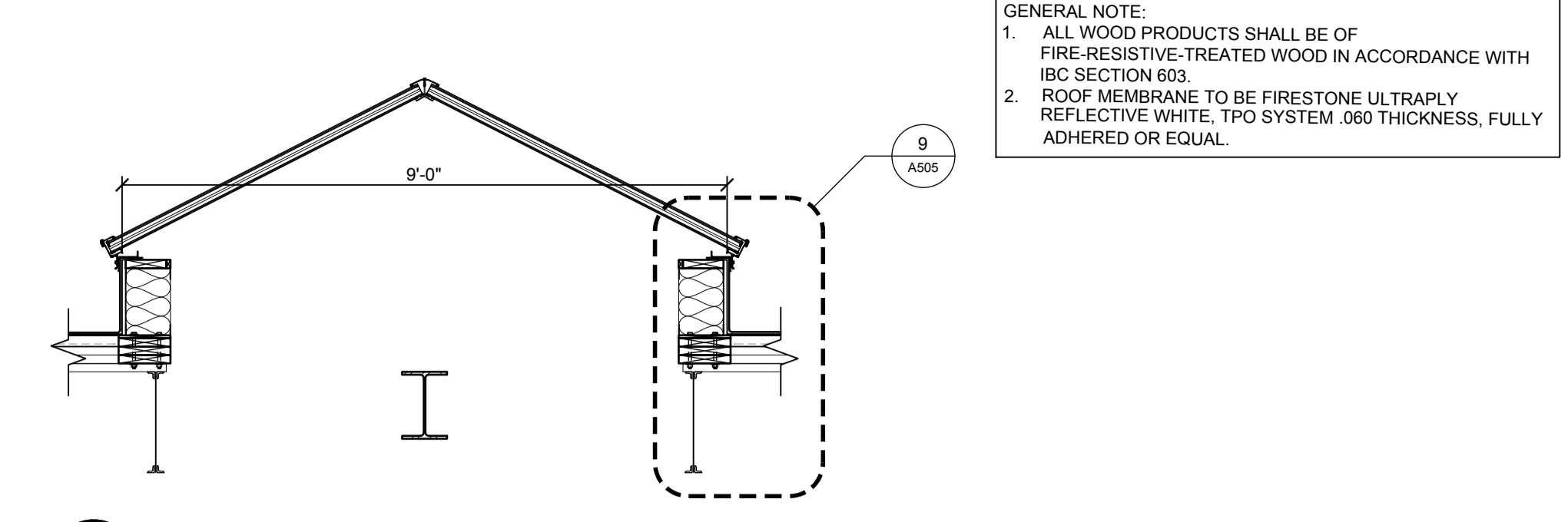
4 FLAT ROOF EDGE GUTTER WITH DOWN SPOUT DETAIL
SCALE: 3" = 1'-0"
DESIGN BASED ON FIRESTONE DETAIL DRAWINGS



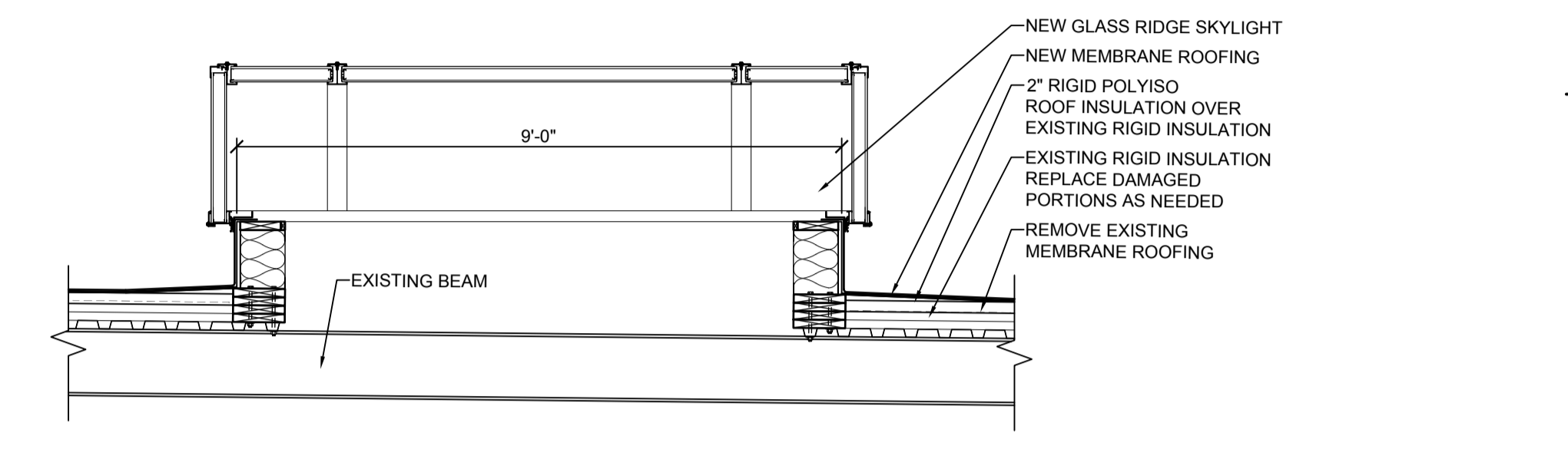
5 VERTICAL E.F.I.S. EXPANSION JOINT DETAIL
SCALE: 3" = 1'-0"
DESIGN BASED ON DRYVIT DETAIL DRAWINGS



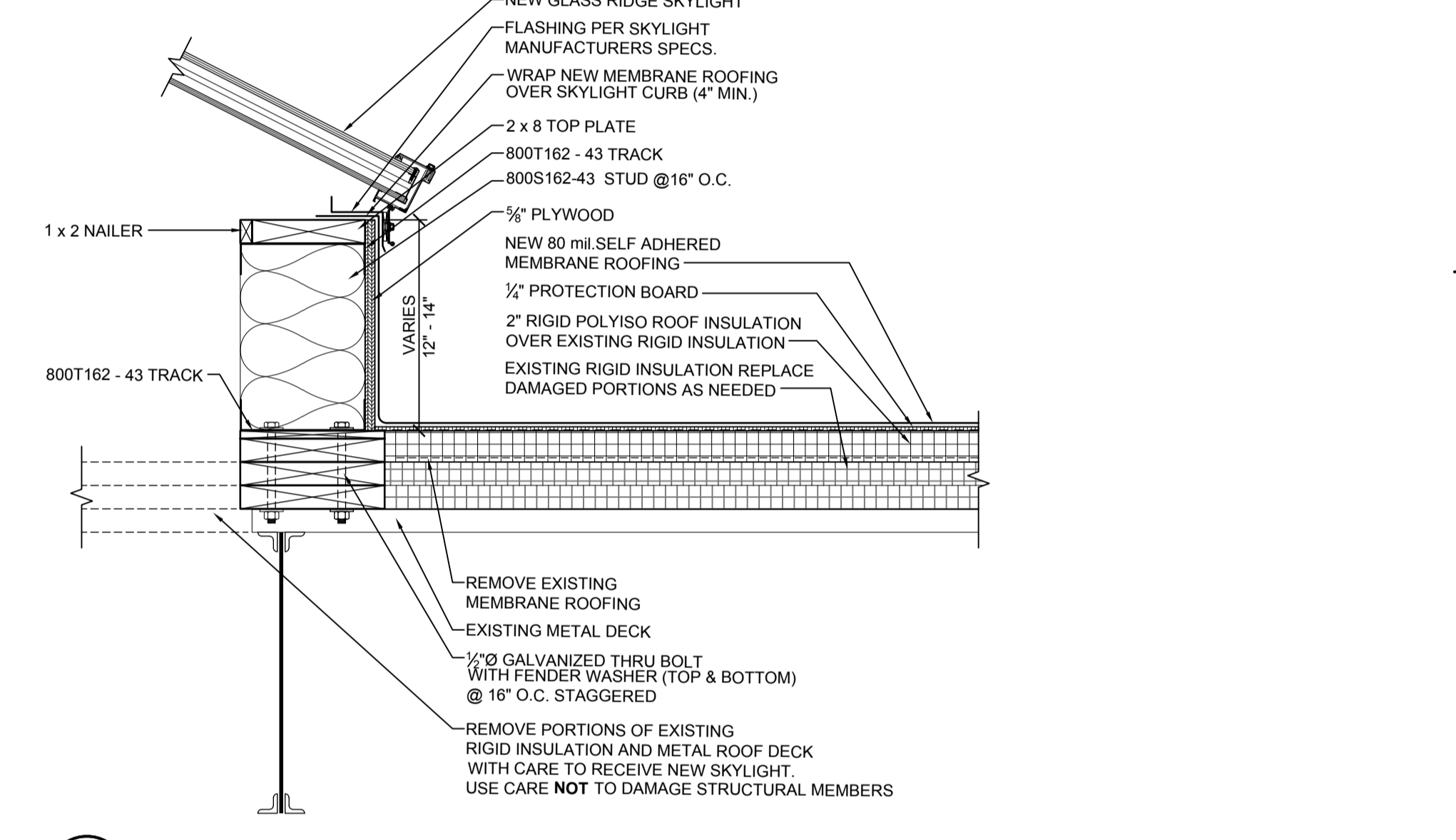
6 REPAIR DETAIL AT EXISTING SKYLIGHT SILL / WALL
SCALE: 1 1/2" = 1'-0"



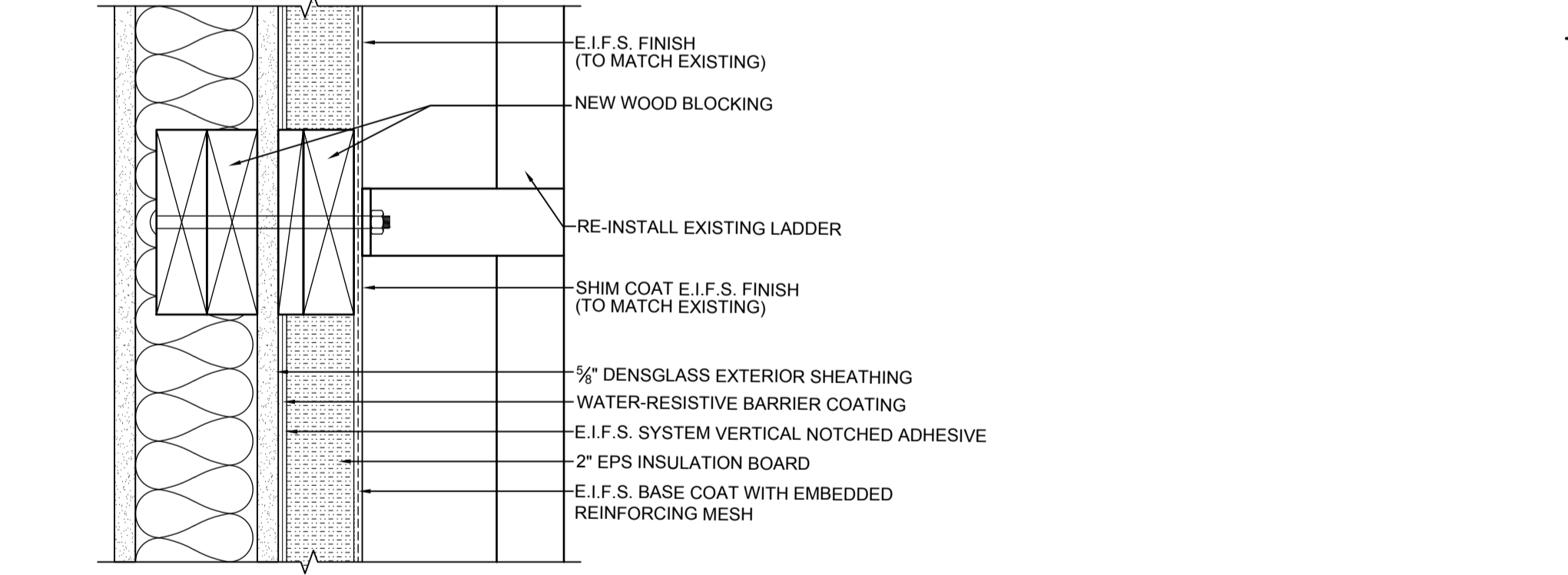
7 NEW SKYLIGHT SECTION
SCALE: 1/2" = 1'-0"



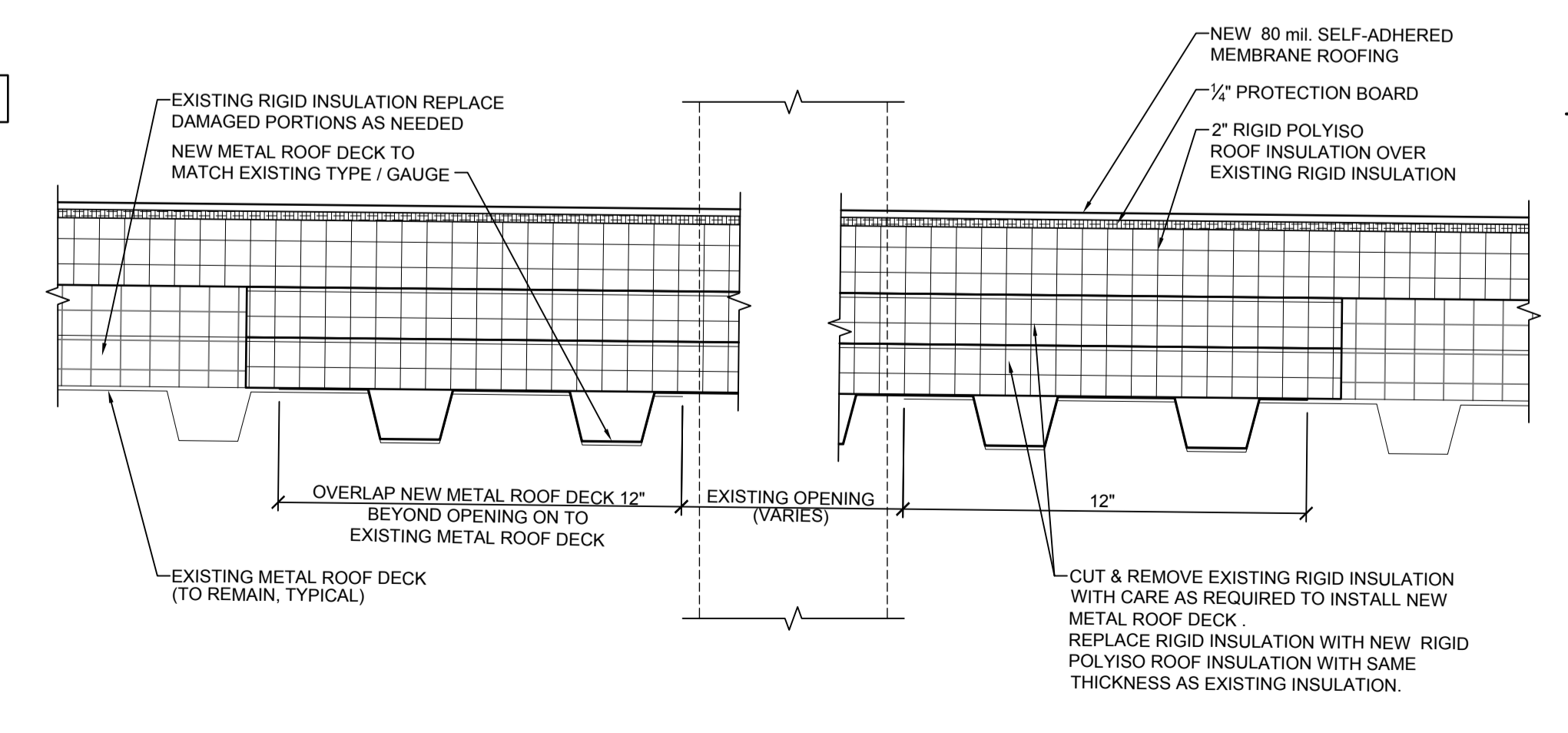
8 NEW SKYLIGHT SECTION
SCALE: 1/2" = 1'-0"



9 NEW SKYLIGHT DETAIL
SCALE: 1 1/2" = 1'-0"



10 LADDER ATTACHMENT DETAIL
SCALE: 3" = 1'-0"



11 METAL ROOF DECK PATCH AT EXISTING OPENING
SCALE: 3" = 1'-0"

GENERAL NOTE:
1. ALL WOOD PRODUCTS SHALL BE OF FIRE-RESISTIVE-TREATED WOOD IN ACCORDANCE WITH IBC SECTION 603.
2. ROOF MEMBRANE TO BE FIRESTONE ULTRALY REFLECTIVE WHITE, TPO SYSTEM .060 THICKNESS, FULLY ADHERED OR EQUAL.

NO.	DATE	REVISIONS	REMARKS

LIBRARY: IOTT ARCHITECTURE ENGINEERING INCORPORATED
310 HAMMOND ST., SUITE 109 SALISBURY, MARYLAND
(410) 749-7229 • FAX (410) 749-0001

LIBRARY: IOTT ARCHITECTURE ENGINEERING INCORPORATED
310 HAMMOND ST., SUITE 109 SALISBURY, MARYLAND
(410) 749-7229 • FAX (410) 749-0001

LIBRARY: IOTT ARCHITECTURE ENGINEERING INCORPORATED
310 HAMMOND ST., SUITE 109 SALISBURY, MARYLAND
(410) 749-7229 • FAX (410) 749-0001

LIBRARY: IOTT ARCHITECTURE ENGINEERING INCORPORATED
310 HAMMOND ST., SUITE 109 SALISBURY, MARYLAND
(410) 749-7229 • FAX (410) 749-0001

LIBRARY: IOTT ARCHITECTURE ENGINEERING INCORPORATED
310 HAMMOND ST., SUITE 109 SALISBURY, MARYLAND
(410) 749-7229 • FAX (410) 749-0001

LIBRARY: IOTT ARCHITECTURE ENGINEERING INCORPORATED
310 HAMMOND ST., SUITE 109 SALISBURY, MARYLAND
(410) 749-7229 • FAX (410) 749-0001

LIBRARY: IOTT ARCHITECTURE ENGINEERING INCORPORATED
310 HAMMOND ST., SUITE 109 SALISBURY, MARYLAND
(410) 749-7229 • FAX (410) 749-0001

LIBRARY: IOTT ARCHITECTURE ENGINEERING INCORPORATED
310 HAMMOND ST., SUITE 109 SALISBURY, MARYLAND
(410) 749-7229 • FAX (410) 749-0001