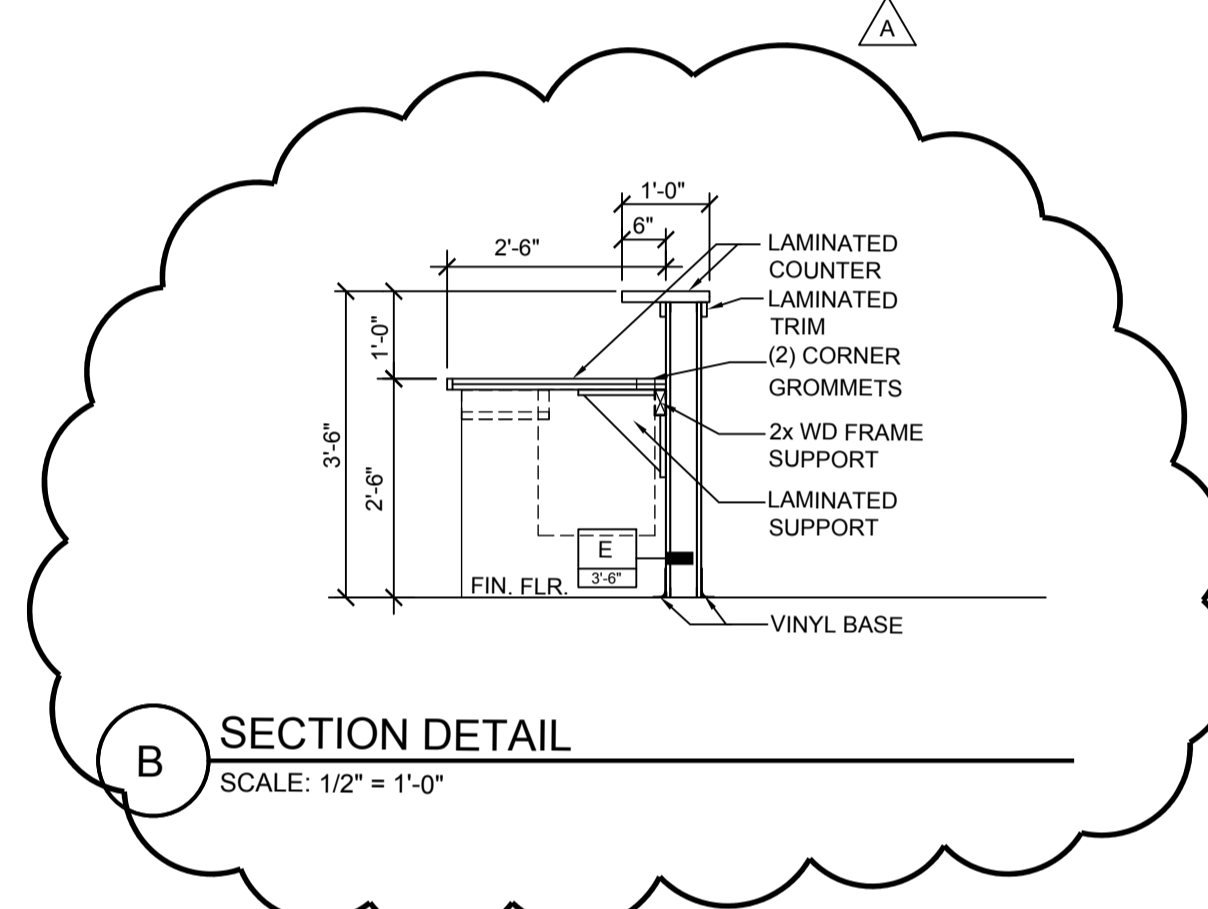
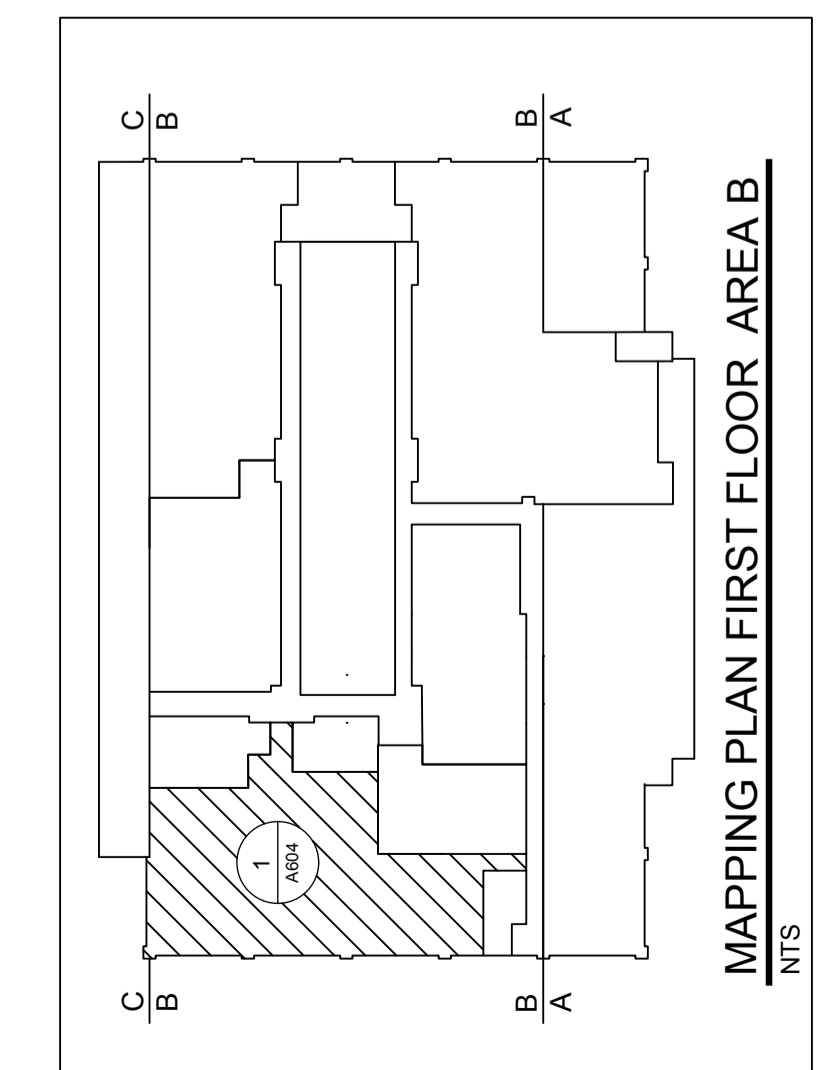
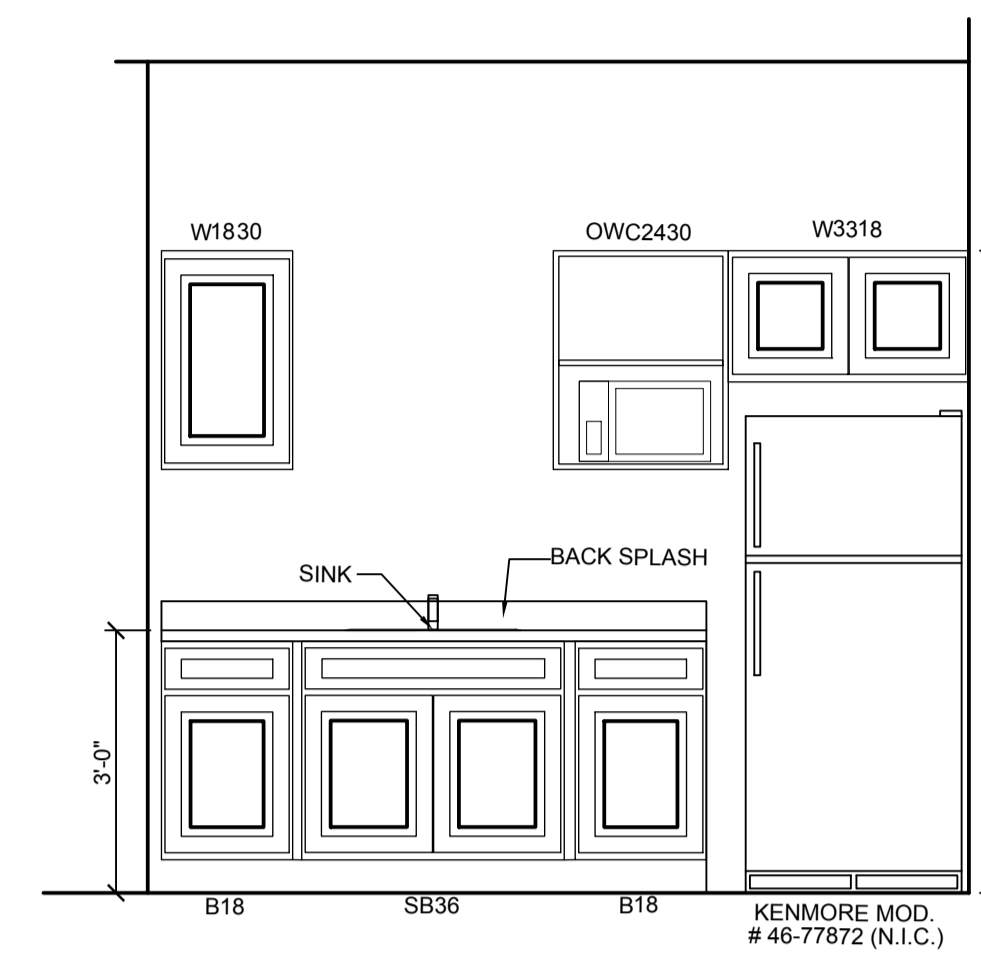
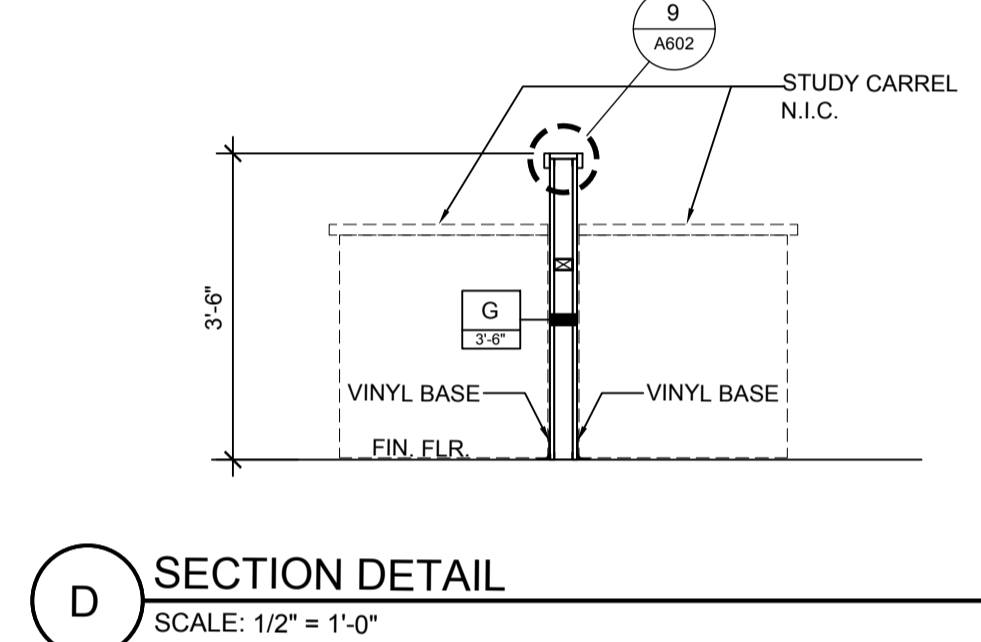


1 WOR-WIC SPACE PLAN
SCALE: 1/4" = 1'-0"



A INTERIOR ELEVATION
SCALE: 1/2" = 1'-0"



NO.	DATE	REMARKS	NO.	DATE	REMARKS
1	11-18-10	ADDED SECTION DETAIL B			

I CERTIFY THAT THESE DRAWINGS WERE PREPARED OR APPROVED BY A PROFESSIONAL ARCHITECT REGISTERED IN THE STATE OF MARYLAND.
KERRI WORTHINGTON, ARCHITECT
LICENSE NUMBER: 000729

ARCHITECTURE
IOTT
ENGINEERING
INCORPORATED
310 HAMMOND ST. SUITE 109 SALISBURY, MARYLAND
(410) 749-0001
(410) 749-7229 FAX (410) 749-0001

TRI - COUNTY MULTI-PURPOSE CENTER
BUILDING ENVELOPE AND
INTERIOR RENOVATION
SALISBURY, MARYLAND
WOR-WIC SPACE PLAN

PRINT DATE: 11.1.2010
IOTT PROJ. NO.: 09-035
DESIGN BY: KI
DRAWN BY: JT
SCALE: AS NOTED
STAGE: ISSUED FOR BID
DWG. FILE: 09-035-A604

A
604