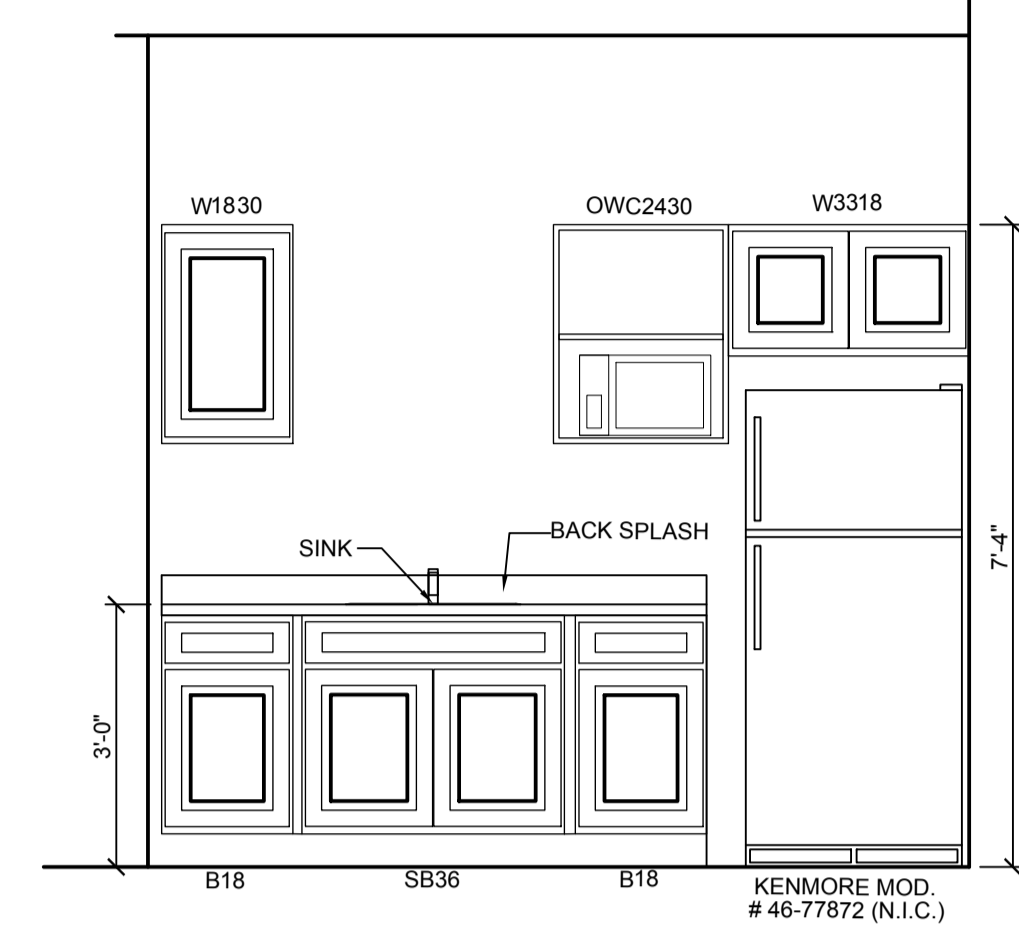
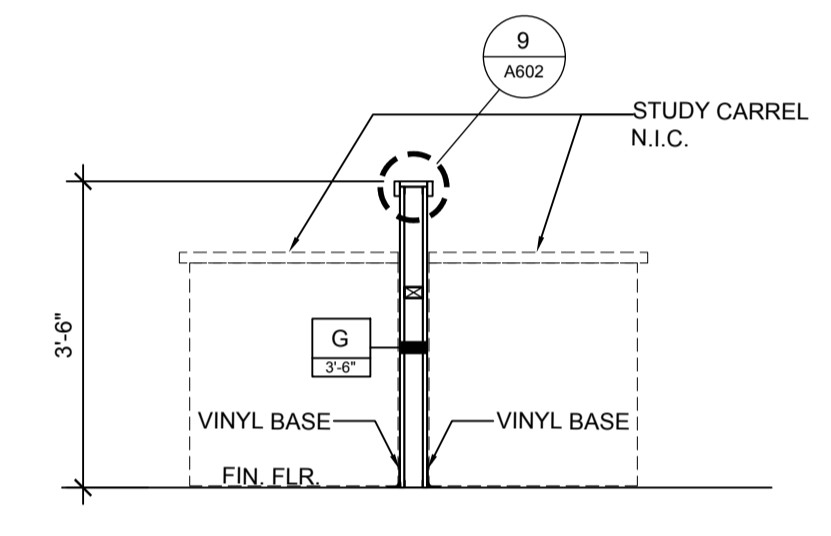


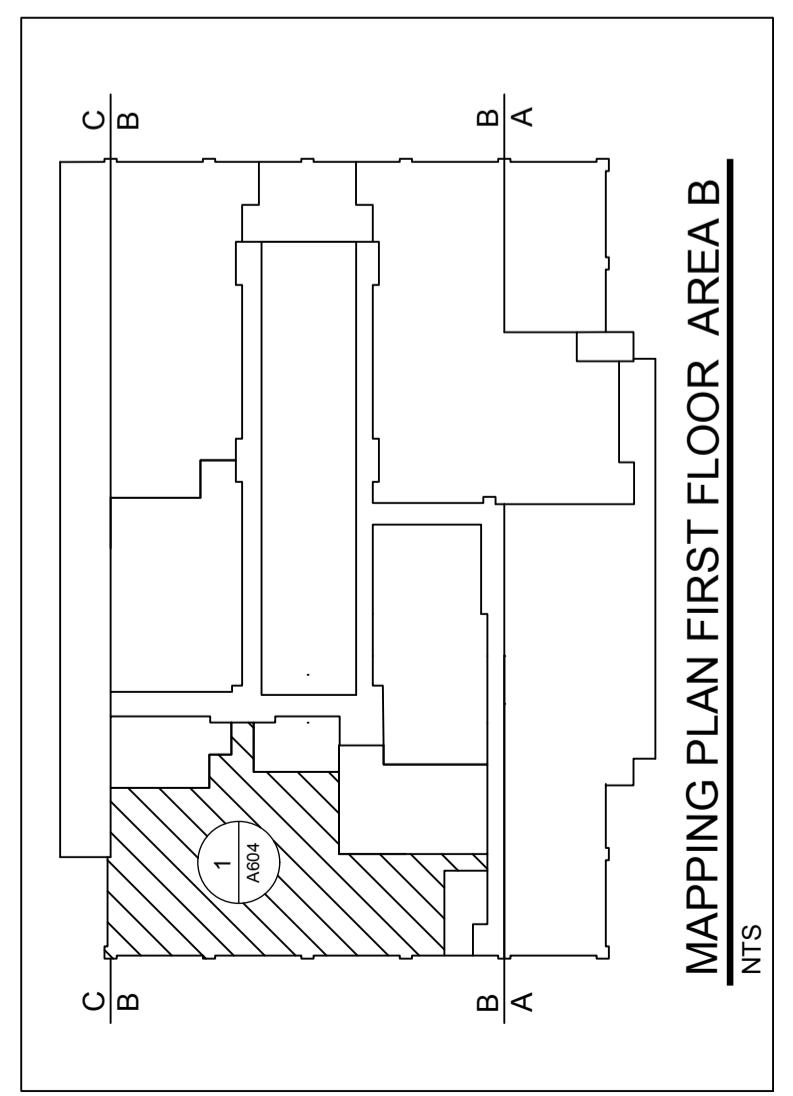
1 WOR-WIC SPACE PLAN  
SCALE: 1/4" = 1'-0"



A INTERIOR ELEVATION  
SCALE: 1/2" = 1'-0"



D SECTION DETAIL  
SCALE: 1/2" = 1'-0"



MAPPING PLAN FIRST FLOOR AREA B.  
NTS

NO.	DATE	REMARKS	NO.	DATE	REMARKS

I CERTIFY THAT THESE DRAWINGS OR ANY PART THEREOF HAVE BEEN PREPARED BY A PERSON REGISTERED AS AN ARCHITECT OR ENGINEER UNDER THE LAWS OF THE STATE OF MARYLAND.  
KERRI WOODRIDGE, NO. 2077  
LICENSED PROFESSIONAL ENGINEER

ARCHITECTURE  
**IOTT**  
ENGINEERING  
INCORPORATED  
310 HAMMOND ST. SUITE 100 SALISBURY, MARYLAND  
(410) 749-7229 • FAX (410) 749-0001

TRI - COUNTY MULTI-PURPOSE CENTER  
BUILDING ENVELOPE AND  
INTERIOR RENOVATION  
SALISBURY, MARYLAND  
WOR-WIC SPACE PLAN

PRINT DATE: 11.1.2010  
IOTT PROJ. NO.: 09-035  
DESIGN BY: KI  
DRAWN BY: JT  
SCALE: AS NOTED  
STAGE: ISSUED FOR BID  
DWG. FILE: 09-035-A604

**A**  
**604**