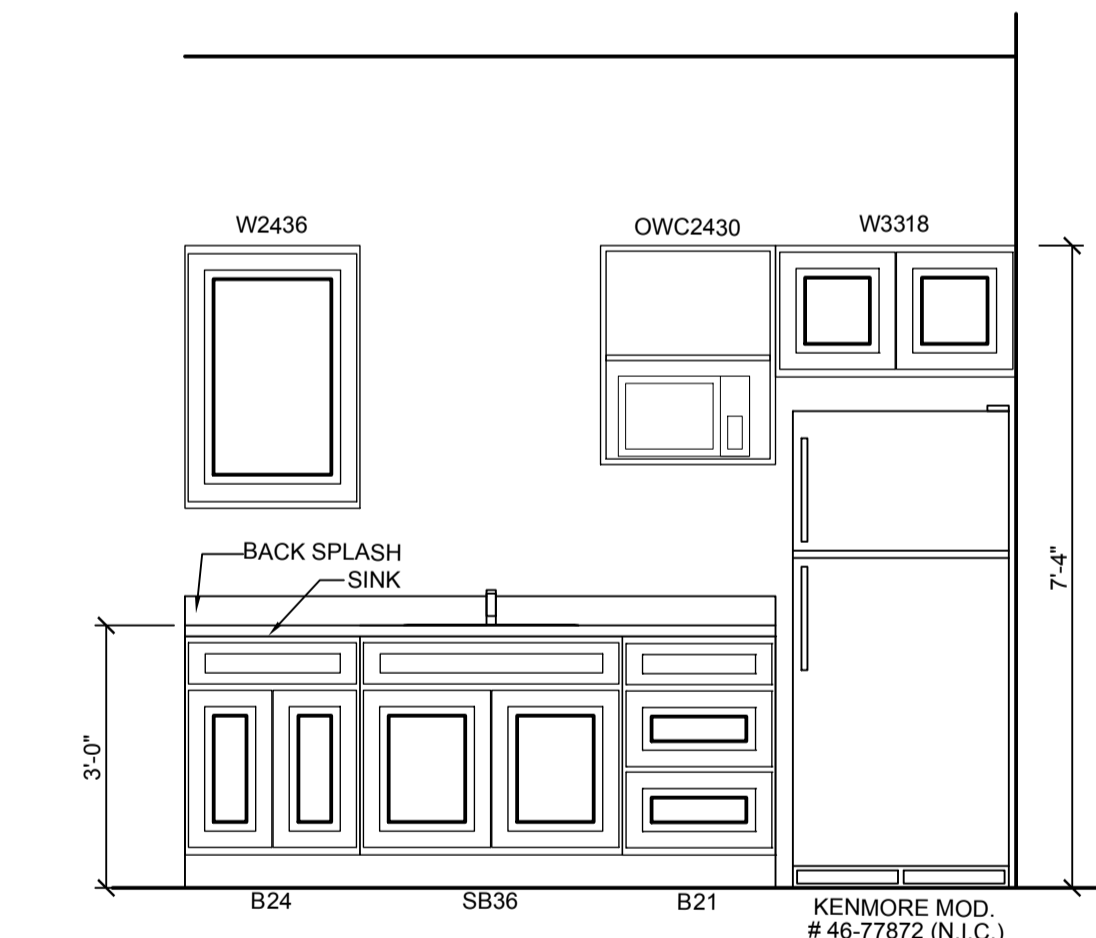
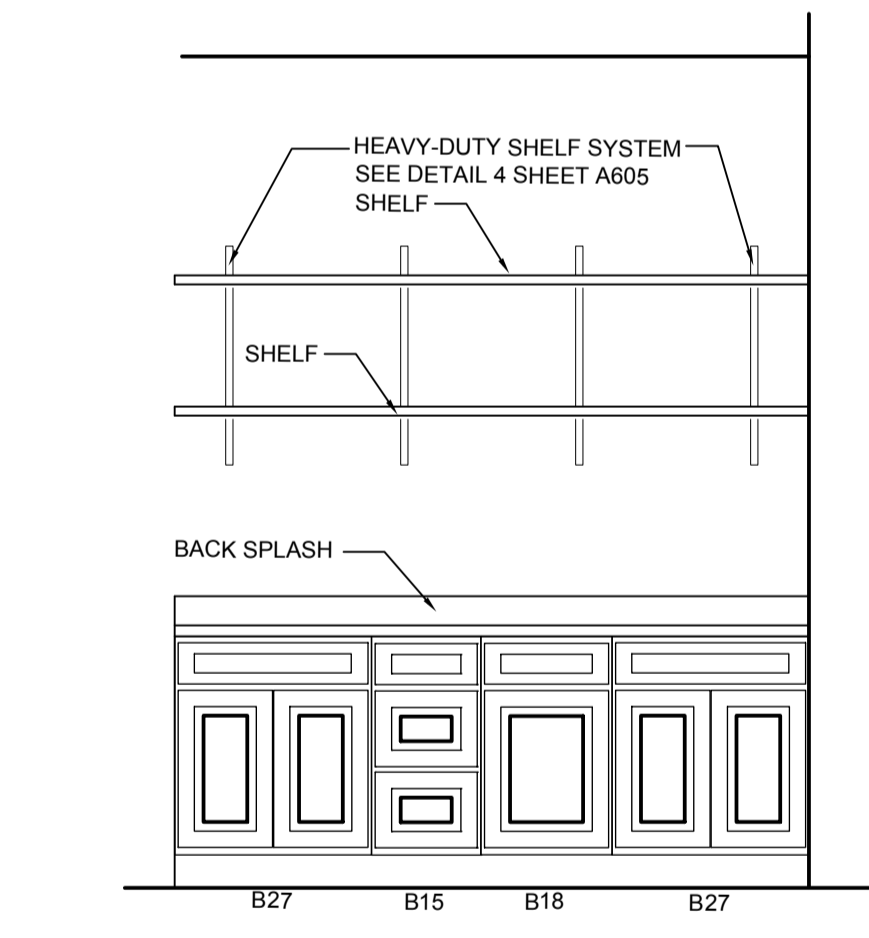


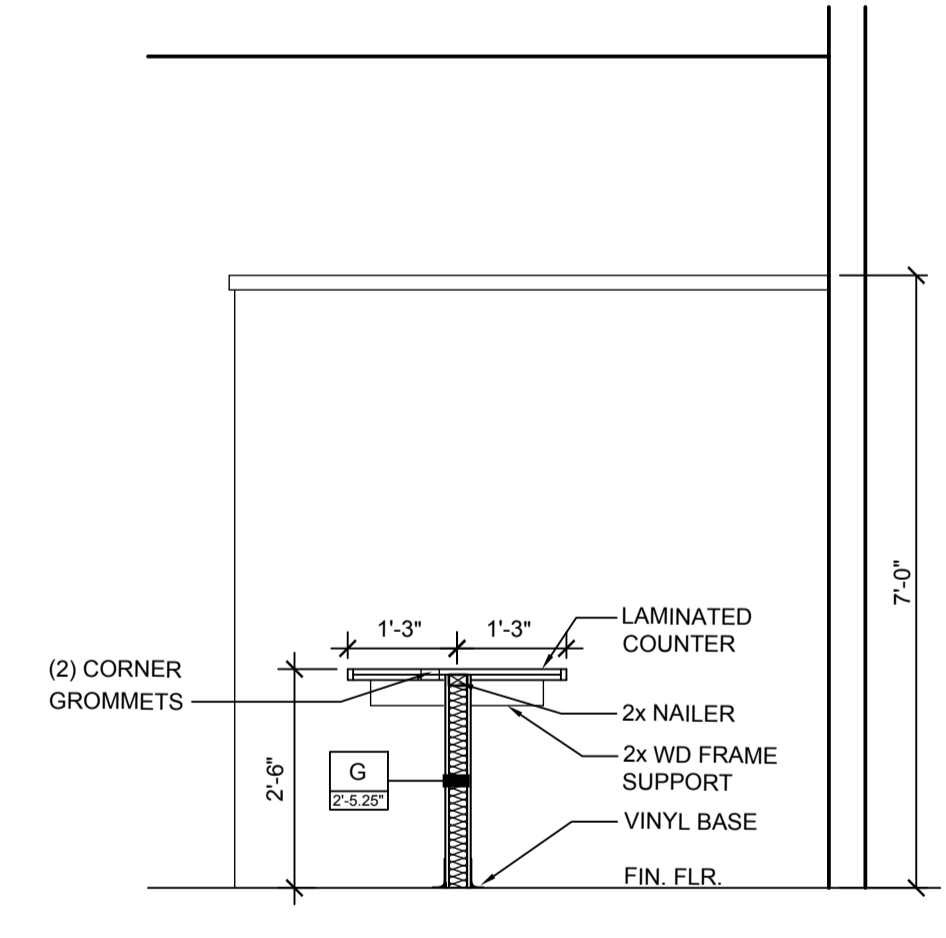
1 SOCIAL SERVICES SPACE PLAN
SCALE: 1/4" = 1'-0"



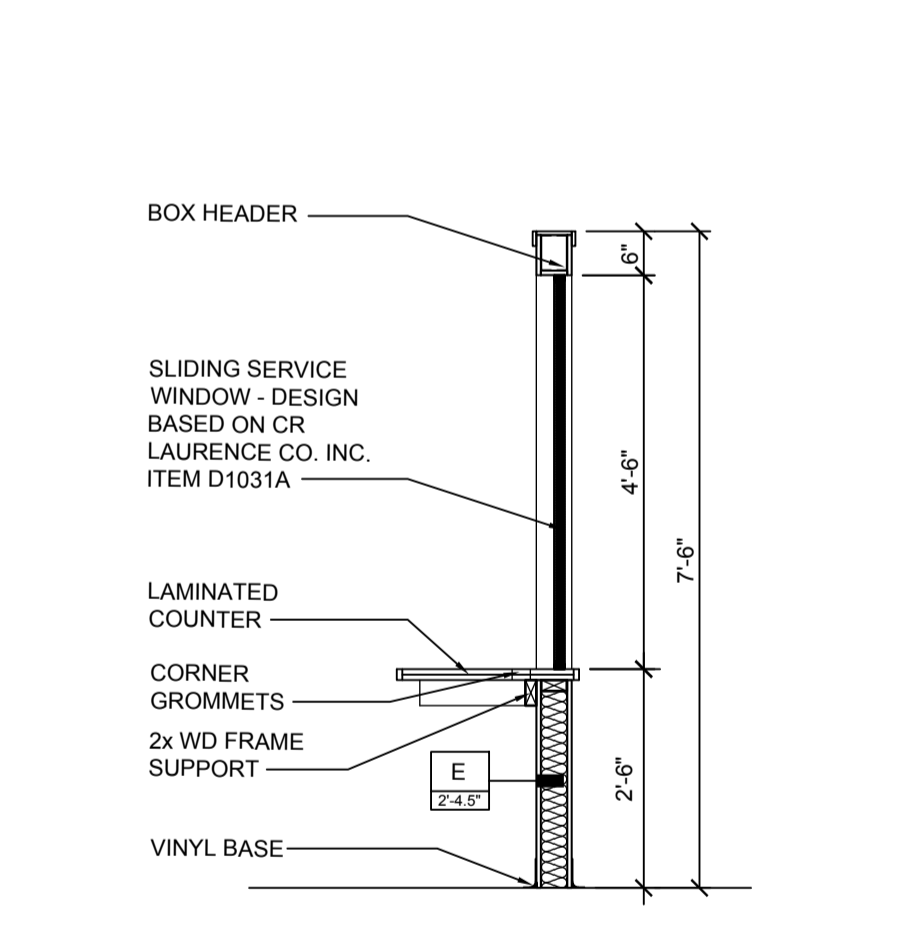
2 INTERIOR ELEVATION
SCALE: 1/2" = 1'-0"



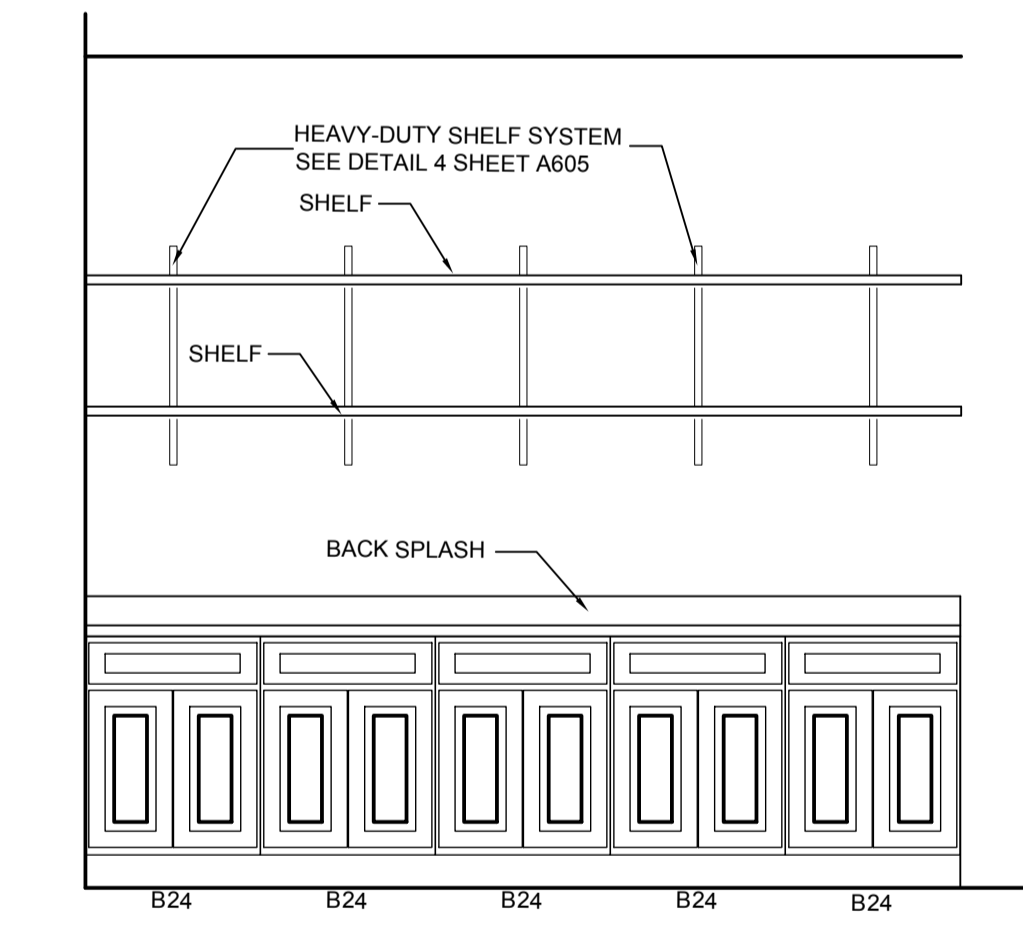
3 INTERIOR ELEVATION
SCALE: 1/2" = 1'-0"



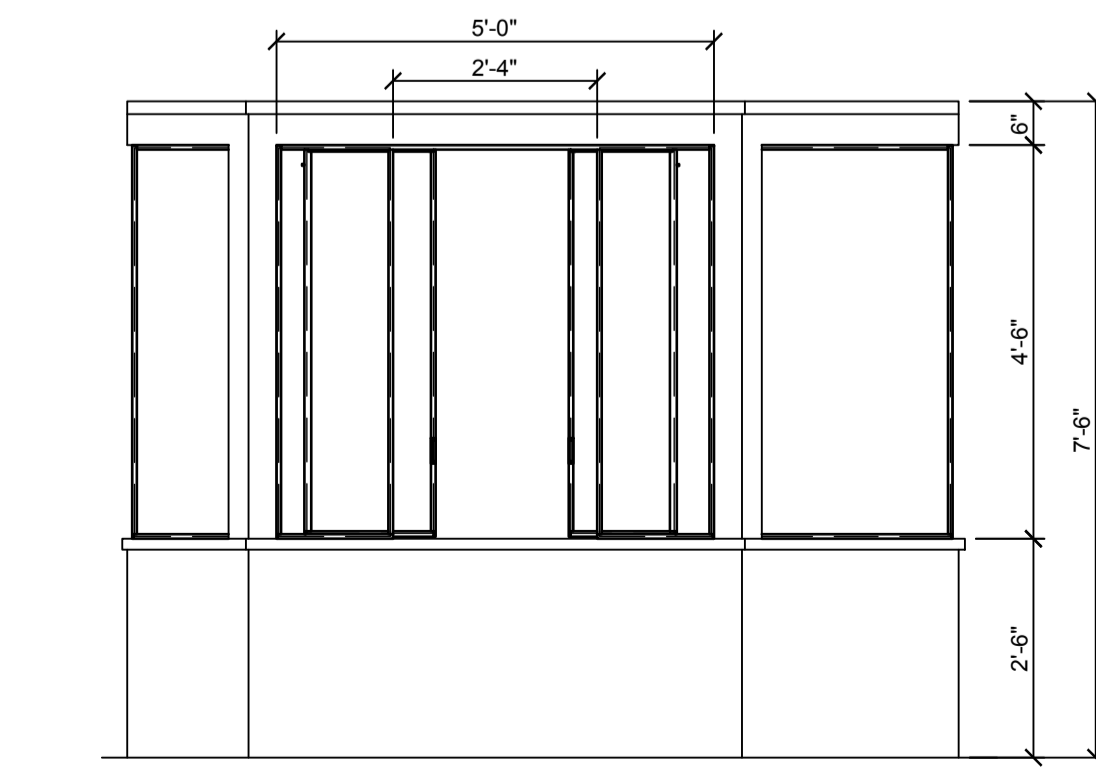
4 INTERIOR ELEVATION
SCALE: 1/2" = 1'-0"



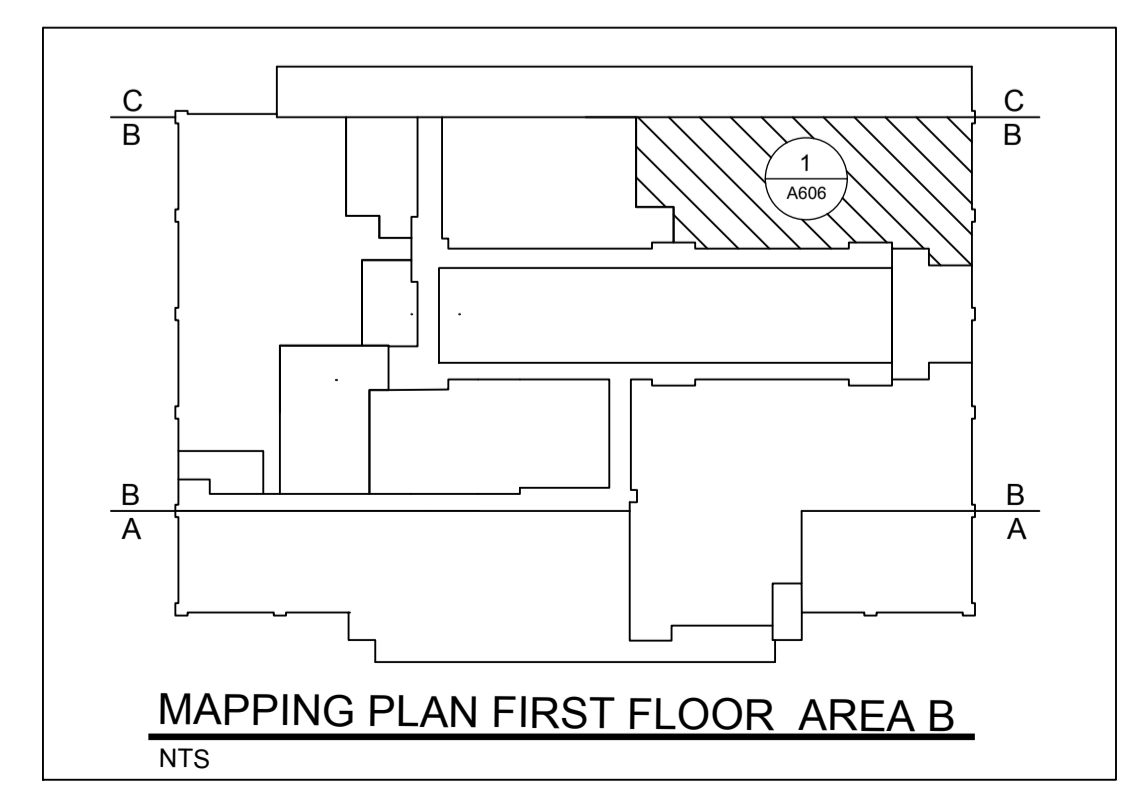
5 INTERIOR ELEVATION
SCALE: 1/2" = 1'-0"



6 INTERIOR ELEVATION
SCALE: 1/2" = 1'-0"



7 INTERIOR ELEVATION
SCALE: 1/2" = 1'-0"



REVISIONS		NO.	DATE	REMARKS

I CERTIFY THAT THESE DRAWINGS WERE PREPARED BY ME OR UNDER MY CLOSE PERSONAL SUPERVISION AND THAT I AM A LICENSED PROFESSIONAL ARCHITECT IN THE STATE OF MARYLAND.

ARCHITECTURE
IOTT
ENGINEERING
INCORPORATED
310 HAMMOND ST. SUITE 109 SALISBURY, MARYLAND
(410) 749-7229 • FAX (410) 749-0001

TRI - COUNTY MULTI-PURPOSE CENTER
BUILDING ENVELOPE AND
INTERIOR RENOVATION
SALISBURY, MARYLAND
SOCIAL SERVICES SPACE PLAN

PRINT DATE: 11.12.2010
IOTT PROJ. NO.: 09-035
DESIGN BY: JI
DRAWN BY: JT
SCALE: AS NOTED
STAGE: ISSUED FOR BID
DWG. FILE: 09-035-A606

A
606